



W061

Max Flow: 100 gpm (379 lpm)



W061 In-Line Cartridge Filters

Working Pressures to:

600 psi / 4140 kPa / 41.4 bar

Rated Static Burst to:

1500 psi / 10,342 kPa / 103 bar

Fatigue Pressure Rating:

300 psi / 2070 kPa / 21 bar

Flow Range To:

100 gpm / 379 lpm

Applications

- In-Plant Systems
- Meets HF3 Specification
- Mobile Equipment

Features

The W061 filter assembly contains the popular HF3 filter. Quick filter change outs are accomplished with the use of our easily serviceable ring assembly. Donaldson DT high-performance 4-layer media is offered in a variety of designs. Donaldson filters core collapse options range from 150 to 3,000 psi. The differential pressure indicator line is designed to work with a wide assortment of bypass valves. Thermal lockout and surge control are two key features incorporated in many of the differential pressure indicators.

- Assembly length code 2 conforms to HF3 specifications
- Wide range of indicator options
- Three housing length options for design flexibility
- Head material: cast iron
- Housing material: steel
- Bleed plug in head



Beta Rating

- Performance to $\beta_{<40} = 1000$

Porting Size Options

- SAE-12, SAE-16 O-Ring

Replacement Filter Lengths

- 4.59" / 116.7mm
- 8.22" / 208.8mm
- 12.91" / 327.8mm

Standard Bypass Ratings

- 25 psi / 173 kPa / 1.73 bar
- 50 psi / 345 kPa / 3.5 bar
- No Bypass

Assembly Weight

- 4.59": 7.9 lbs / 3.6 kg
- 8.22": 8.9 lbs / 4.0 kg
- 12.91": 10.2 lbs / 4.6 kg

Operating Temperatures

- -20° to 250°F (-29° to 121°C)

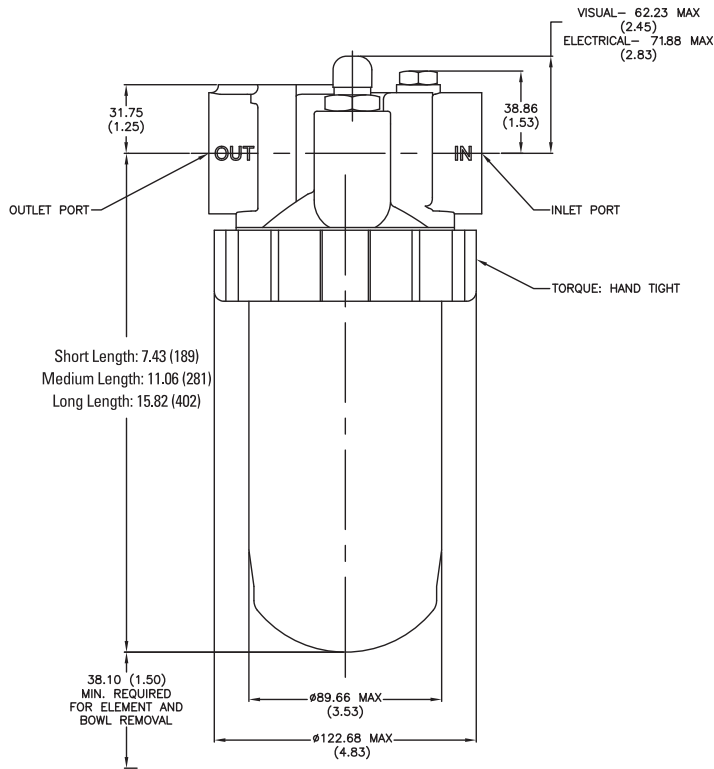
Filter Collapse Ratings

- 150 psi / 1034 kPa / 10.3 bar (standard)

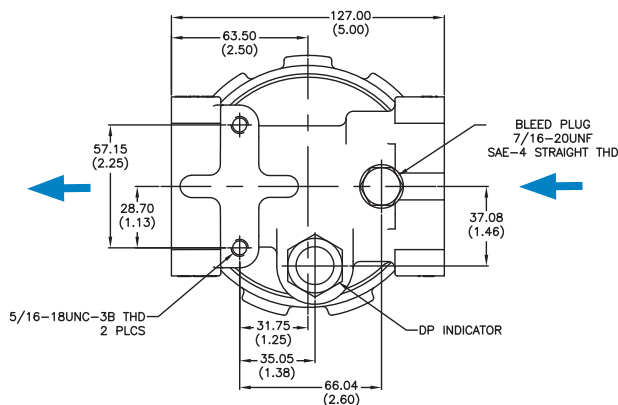
W061 Specification Illustrations

ASSEMBLY - SIDE VIEW

All dimensions are shown in millimeters [inches].



HEAD - TOP VIEW





W061

Max Flow: 100 gpm (379 lpm)



W061 Components

Filter Choices

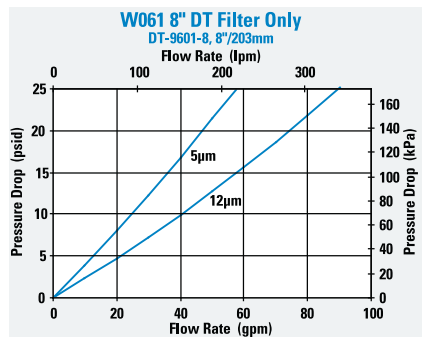
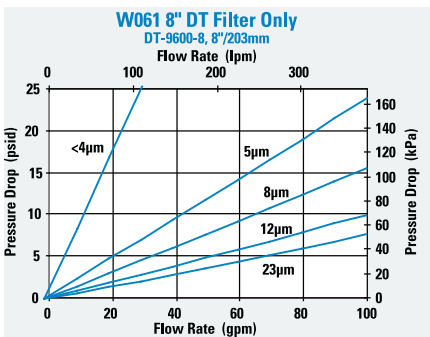
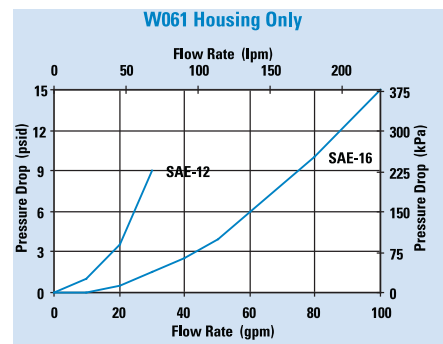
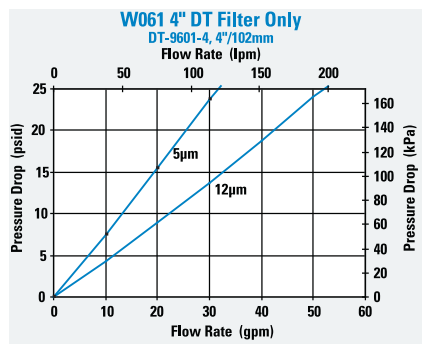
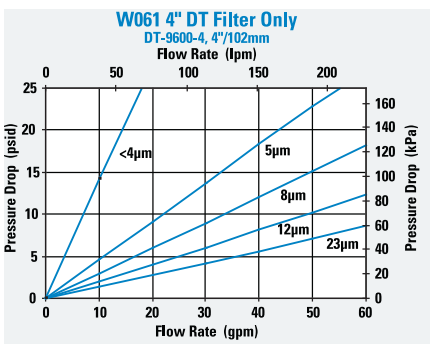
Media Type	$\beta_{x(c)} = 2$	$\beta_{x(c)} = 1000$	Length		Part No.	Comments
	Rating based on ISO 16889		in	mm		
DT Synthetic		<4 μm	4.59	117	P566204	DT-9600-4-2UM
		5 μm	4.59	117	P566205	DT-9600-4-5UM
		5 μm	4.59	117	P167184	DT-9601-4-5UM, High collapse
		8 μm	4.59	117	P566206	DT-9600-4-8UM
		12 μm	4.59	117	P566207	DT-9600-4-14UM
		12 μm	4.59	117	P167843	DT-9601-4-14UM, High collapse
		23 μm	4.59	117	P566208	DT-9600-4-25UM
		<4 μm	8.22	209	P566209	DT-9600-8-2UM
		5 μm	8.22	209	P566210	DT-9600-8-5UM
		5 μm	8.22	209	P167185	DT-9601-8-5UM, High collapse
		8 μm	8.22	209	P566211	DT-9600-8-8UM
		12 μm	8.22	209	P566212	DT-9600-8-14UM
		12 μm	8.22	209	P167186	DT-9601-8-14UM, High collapse
		23 μm	8.22	209	P566213	DT-9600-8-25UM
		<4 μm	12.91	328	P566214	DT-9600-13-2UM
		5 μm	12.91	328	P566215	DT-9600-13-5UM
		5 μm	12.87	327	P167411	DT-9601-13-5UM, High collapse
	Water Absorbing			8.23	209	P569528
			12.87	327	P569529	Absorbs 220 ml water @ 25 psid



Filter Notes:

- All Donaldson DT filters utilize glass fiber media with an epoxy-based resin system for the ultimate in chemical compatibility.
- All Donaldson DT filters are potted with epoxy-based adhesives.
- Standard collapse DT designs are double wire-backed using epoxy-coated steel mesh for maximum pleat support and dirt capacity.
- DT high collapse designs are potted into machined aluminum end caps for greater filter integrity in critical applications.
- Fluorocarbon seals are standard on all Donaldson DT filters.

Performance Data





Head Assembly Choices

Port Size	Bypass Rating	Seal Material	Indicator Style & Location	Part No.
SAE-12 O-Ring	50 psi / 3.45 bar	Nitrile	Port Machined & Plugged	P574242
SAE-16 O-Ring	50 psi / 3.45 bar	Nitrile	Port Machined & Plugged	P574243
SAE-16 O-Ring	25 psi / 1.72 bar	Fluorocarbon	Port Machined & Plugged	P575929

Housing Choices

Housing Length	Seal Material	Part No.
4" (101.6mm)	Nitrile	X011115
8" (203.2mm)	Nitrile	X011111
13" (330.2mm)	Nitrile	X011117

Service Part Choices

Part No.	Description
X011160	Head/Bowl/Housing Seal Kit - nitrile
X011161	Head/Bowl/Housing Seal Kit - fluorocarbon

Indicator Choices

Indicator Pressure Setting	Connector Style	Seal Material	Part No.	Thermal Lockout	Surge Control	Reset
Visual Pop-up Models						
15 psi / 103 kPa	NA	Nitrile	P572345	No	No	Auto
35 psi / 241 kPa	NA	Nitrile	P572347	No	No	Auto
35 psi / 241 kPa	NA	Nitrile	P572348	Yes	Yes	Manual
35 psi / 241 kPa	NA	Fluorocarbon	P567456	Yes	Yes	Manual
Electrical / Visual Models						
15 psi / 103 kPa	Hirschman	Nitrile	P572323	No	No	Auto
35 psi / 241 kPa	Hirschman	Nitrile	P572327	No	No	Auto
35 psi / 241 kPa	Brad Harrison	Nitrile	P572329	No	No	Auto
35 psi / 241 kPa	Hirschman	Nitrile	P572384	Yes	Yes	Manual
35 psi / 241 kPa	Hirschman	Fluorocarbon	P567458	Yes	Yes	Manual
15 psi / 103 kPa	3 wire flying leads	Nitrile	P572342	No	No	Auto
35 psi / 241 kPa	3 wire flying leads	Nitrile	P572349	No	No	Auto
Electrical Models						
15 psi / 103 kPa	Hirschman	Nitrile	P572355	No	No	Auto
35 psi / 241 kPa	Hirschman	Nitrile	P572359	No	No	Auto
35 psi / 241 kPa	Brad Harrison	Nitrile	P572361	No	No	Auto

