



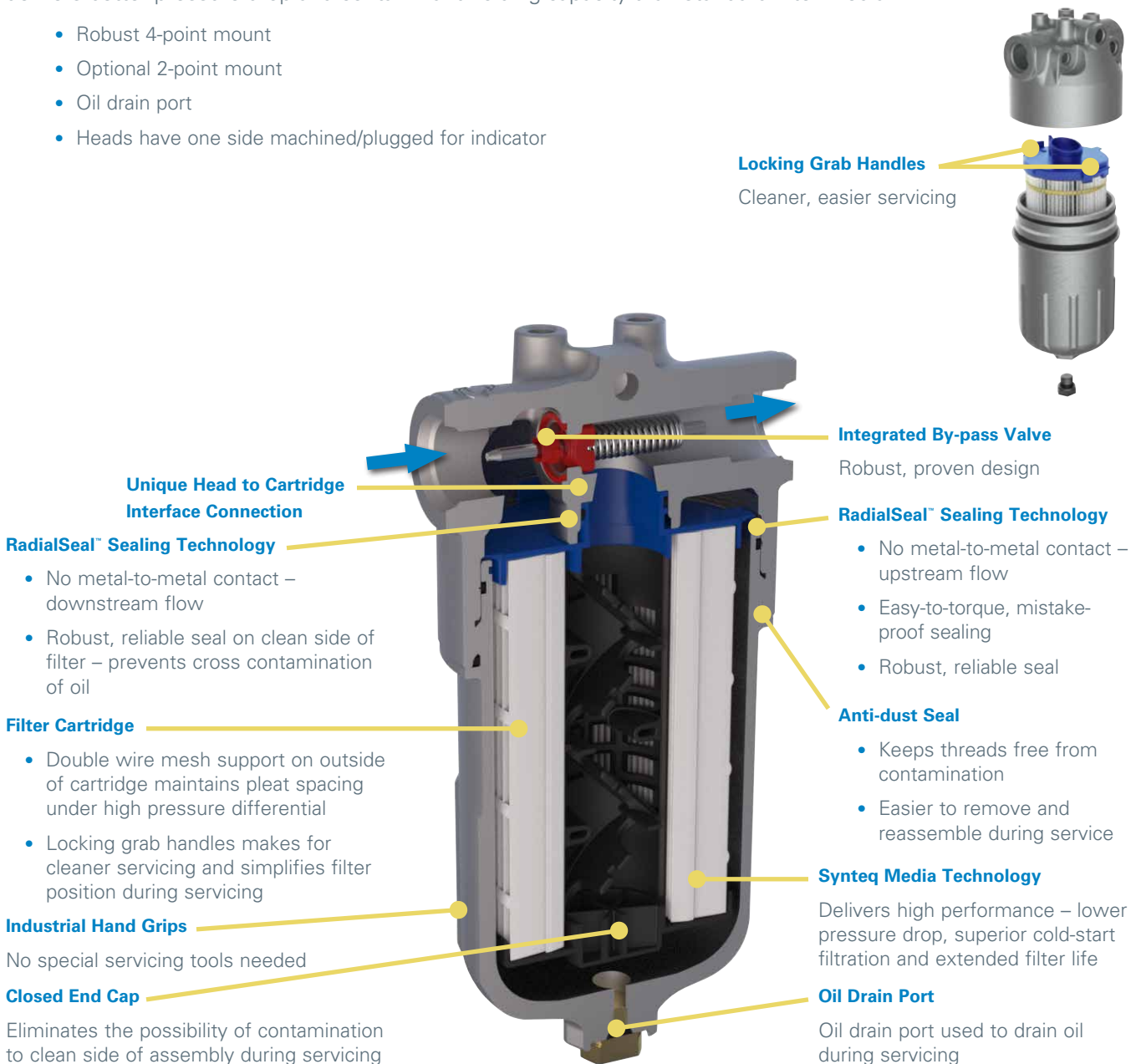
# Our FLK hydraulic filtration systems are packed with innovative features that will deliver cleaner, mistake-proof filter servicing.

## Features

The FLK assembly is a robust, reusable housing with a disposable cartridge design. The versatile filter head accommodates multiple housing lengths. Raised hand grips make it easy to remove the housing from the head without special servicing tools. The oil drain port on the bottom of the housing allows cleaner, easier servicing. The filter tabs lock into place – simplifying positioning during reassembly.

A unique sealing technology protects systems from harmful ingressed contaminants and cross contamination. The RadialSeal™ interface increases surface area to provide a robust connection with superior vibration resistance. Extended surface area gives advanced filtration performance. Donaldson's proprietary Synteq™ media technology delivers better pressure drop and contaminant holding capacity than standard filter media.

- Robust 4-point mount
- Optional 2-point mount
- Oil drain port
- Heads have one side machined/plugged for indicator



## FLK90 In-Line Cartridge Filters

### Working Pressures to:

580 psi / 4002 kPa / 40 bar

### Rated Static Burst to:

2000 psi / 13,790 kPa / 138 bar

### Flow Range To:

40 gpm / 151 lpm

### Applications

- Hydrostatic Charge Pumps
- Hydrostatic Transmission
- Pilot Control Circuits



### IMPORTANT SERVICE INSTRUCTIONS:

To prevent thread damage when installing new filter, fully lubricate the entire thread and O-Ring surface with a Molybdenum-containing gear oil or anti-seize paste such as Schaeffer #214S Supreme One 80W-140 gear oil or Dow Corning Molykote P-37 anti-seize paste.

### Beta Rating

- Performance to  $\beta_{<60>}$ =1000

### Porting Size Options

- SAE-12 O-Ring
- SAE-16 O-Ring

### Replacement Filter Lengths

- 4.21" / 107mm
- 8.23" / 209mm

### Standard Bypass Ratings

- 50 psi / 345 kPa / 3.5 bar
- No bypass

### Assembly Weight

- Long Housing: 2.33 kg / 5.14 lbs
- Short Housing: 1.82 kg / 4.01 lbs

### Operating Temperatures

- -40° to 250°F (-40° to 121°C)

### Filter Collapse Ratings

- 145 psid / 1000 kPa / 10 bar (standard)



FLK90

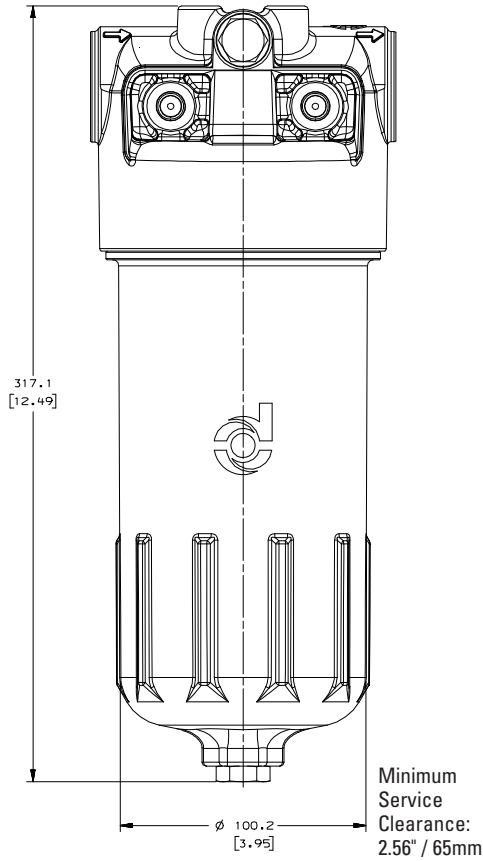
Max Flow: 40 gpm (151 lpm)



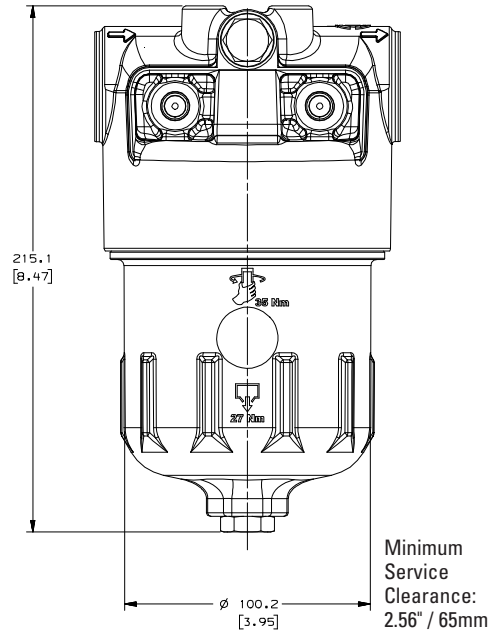
## FLK Specification Illustrations

### LONG ASSEMBLY - SIDE VIEW

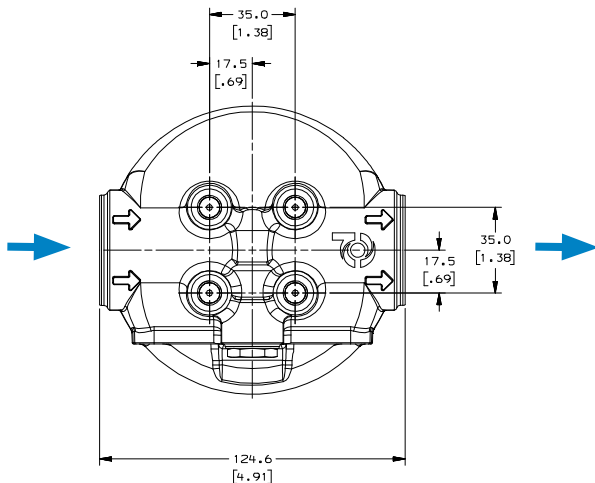
All dimensions are shown in millimeters [inches].



### SHORT ASSEMBLY - SIDE VIEW



### HEAD - TOP VIEW



# FLK90 Components

## Filter Choices

Media Type	$\beta_{x(e)} = 1000$	Length		Part No.
	Rating based on ISO 16889	in	mm	
<b>Short Length Assembly</b>				
Synteq Synthetic	6 $\mu\text{m}$	4.21	107	P767128
	11 $\mu\text{m}$	4.21	107	P766987
	15 $\mu\text{m}$	4.21	107	P767129
<b>Long Length Assembly</b>				
Synteq Synthetic	6 $\mu\text{m}$	8.23	209	P767130
	11 $\mu\text{m}$	8.23	209	P766959
	15 $\mu\text{m}$	8.23	209	P767131

## Head Choices

Part No.	Port Connections	Bypass Valve
P574994	SAE-12	50 psi (3.4 bar) bypass
P574995	SAE-12	No bypass
P574996	SAE-16	50 psi (3.4 bar) bypass
P574997	SAE-16	No bypass

## Housing Choices

Part No.	Comments
P766990	Short length assembly
P766961	Long length assembly

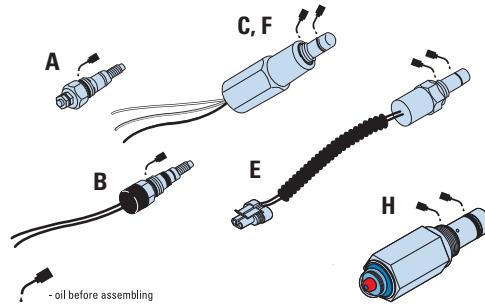
## Service Indicator Choices

Use with Bypass Valve Pressure of:	Indicator Part No.	Style <sup>2</sup>	Description
<b>Electric Models<sup>1</sup></b>			
50 psi / 345 kPa	P165194	A	Single post DC. N.O.
50 psi / 345 kPa	P574968	B	DC 2-wire.
50 psi / 345 kPa	P574967	E	DC 2-wire.
50 psi / 345 kPa	P575549	F	DC 3-wire.
50 psi / 345 kPa	P174396	C	AC/DC 3-wire.
25 psi / 172.5 kPa	P575334	H	Visual pop up
50 psi / 345 kPa	P575335	H	Visual pop up

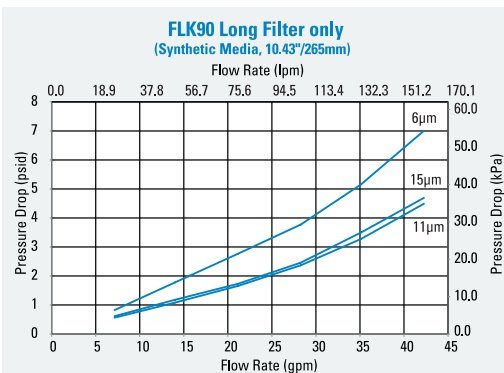
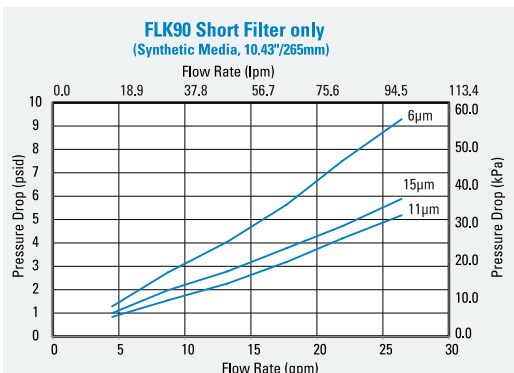
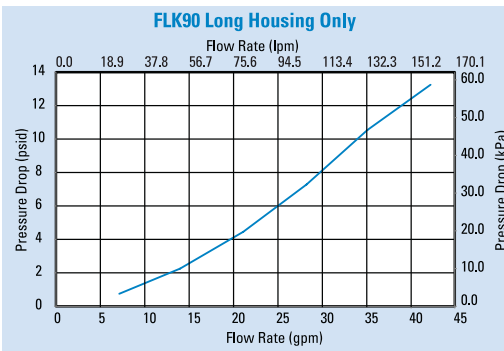
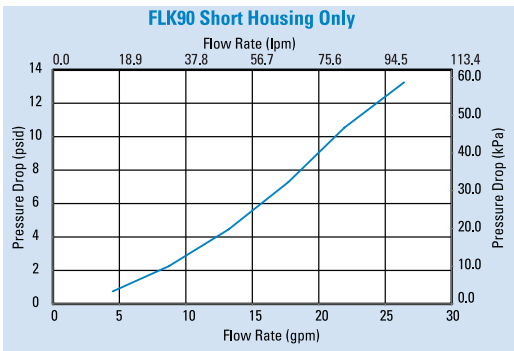
Indicator Notes

<sup>1</sup>All electric models have a maximum operating temperature of 250°F / 121°C.

<sup>2</sup>Complete details on all service indicators can be found in the accessories section.



## Performance Data





FLK110

Max Flow: 42 gpm (159 lpm)



## FLK110 In-Line Cartridge Filters

### Working Pressures to:

435 psi / 3001 kPa / 30 bar

### Rated Static Burst to:

1300 psi / 8970 kPa / 90 bar

### Flow Range To:

42 gpm / 159 lpm

### Applications

- Hydrostatic Charge Pumps
- Hydrostatic Transmission
- Pilot Control Circuits



### IMPORTANT SERVICE INSTRUCTIONS:

To prevent thread damage when installing new filter, fully lubricate the entire thread and O-Ring surface with a Molybdenum-containing gear oil or anti-seize paste such as Schaeffer #214S Supreme One 80W-140 gear oil or Dow Corning Molykote P-37 anti-seize paste.

### Beta Rating

- Performance to  $\beta_{<60>}$ =1000

### Porting Size Options

- SAE-20 O-Ring

### Replacement Filter Lengths

- 7.4" / 187.9mm
- 10.43" / 264.9mm

### Standard Bypass Ratings

- 50 psi / 345 kPa / 3.5 bar
- No bypass

### Assembly Weight

- Long Housing: 1.34 kg / 2.95 lb
- Short Housing: 1.01 kg / 2.22 lb

### Operating Temperatures

- -40° to 250°F (-40° to 121°C)

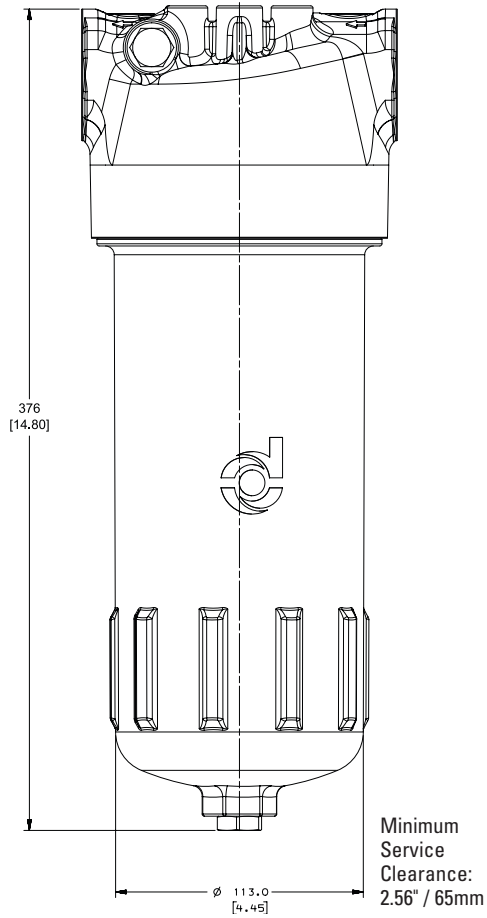
### Filter Collapse Ratings

- 145 psid / 1000 kPa / 10 bar (standard)

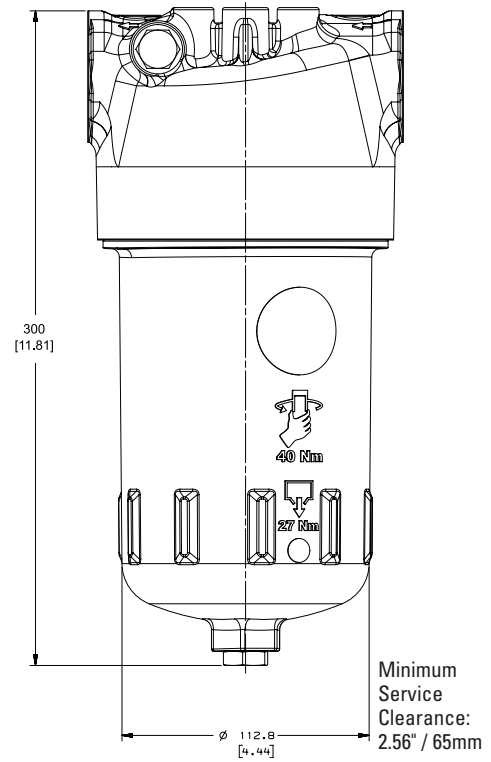
## FLK Specification Illustrations

### LONG ASSEMBLY - SIDE VIEW

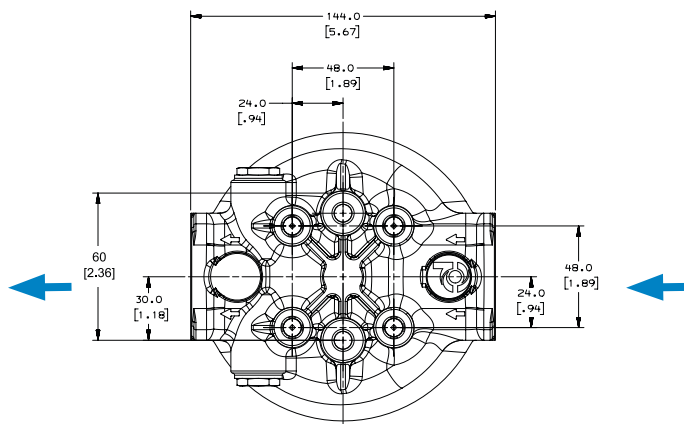
All dimensions are shown in millimeters [inches].



### SHORT ASSEMBLY - SIDE VIEW



### HEAD - TOP VIEW





FLK110

Max Flow: 42 gpm (159 lpm)



# FLK110 Components

## Filter Choices

Media Type	$\beta_{x10} = 1000$	Length		Part No.
	Rating based on ISO 16889	in	mm	
<b>Short Length Assembly</b>				
Synteq Synthetic	6 $\mu\text{m}$	7.4	187	P766847
	11 $\mu\text{m}$	7.4	187	P766813
	15 $\mu\text{m}$	7.4	187	P767012
<b>Long Length Assembly</b>				
Synteq Synthetic	6 $\mu\text{m}$	10.43	265	P767010
	11 $\mu\text{m}$	10.43	265	P766811
	15 $\mu\text{m}$	10.43	265	P767011

## Head Choices

Part No.	Port Connections	Bypass Valve
P766831	SAE-20	50 psi (3.4 bar) bypass
P767009	SAE-20	No bypass

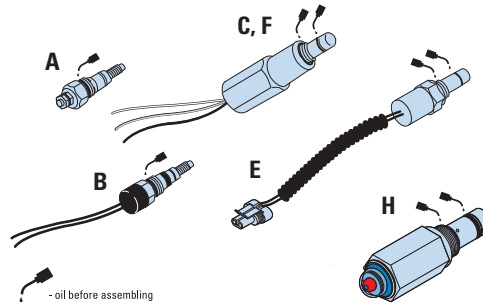
## Housing Choices

Part No.	Comments
P766812	Short length assembly
P766810	Long length assembly

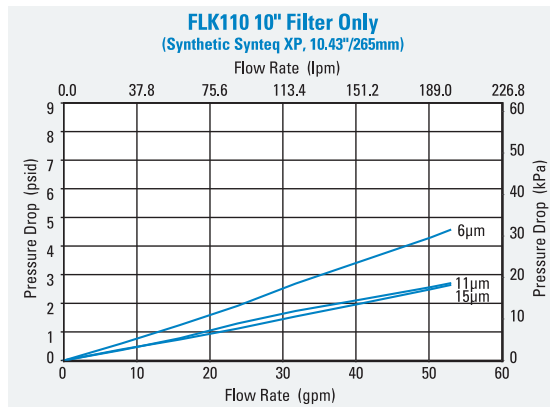
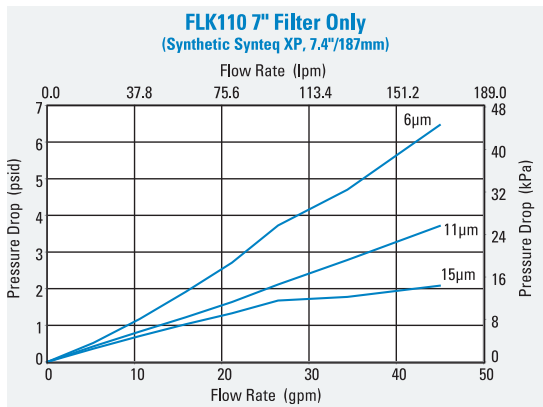
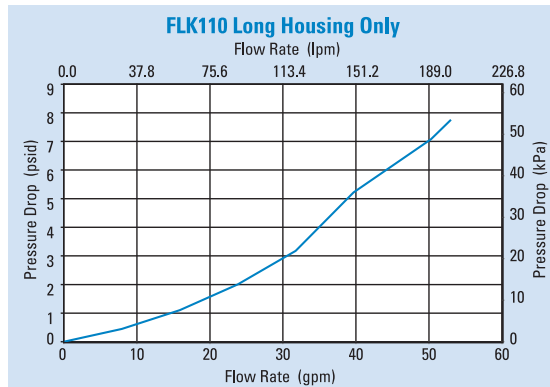
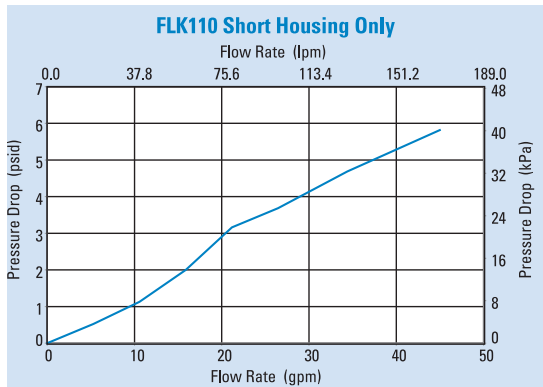
## Service Indicator Choices

Use with Bypass Valve Pressure of:	Indicator Part No.	Style <sup>2</sup>	Description
<b>Electric Models<sup>1</sup></b>			
50 psi / 345 kPa	P165194	A	Single post DC. N.O.
50 psi / 345 kPa	P574968	B	DC 2-wire
50 psi / 345 kPa	P574967	E	DC 2-wire
50 psi / 345 kPa	P575549	F	DC 3-wire
50 psi / 345 kPa	P174396	C	AC/DC 3-wire
25 psi / 172.5 kPa	P575334	H	Visual pop up
50 psi / 345 kPa	P575335	H	Visual pop up

<sup>1</sup>Indicator Notes  
 All electric models have a maximum operating temperature of 250°F / 121°C.  
<sup>2</sup>Complete details on all service indicators can be found in the accessories section.



## Performance Data



## FLK125 In-Line Cartridge Filters

### Working Pressures to:

508 psi / 3505 kPa / 35.1 bar

### Rated Static Burst to:

2000 psi / 13,790 kPa / 138 bar

### Flow Range To:

85 gpm / 322 lpm

### Applications

- Hydrostatic Charge Pumps
- Hydrostatic Transmission
- Pilot Control Circuits



### IMPORTANT SERVICE INSTRUCTIONS:

To prevent thread damage when installing new filter, fully lubricate the entire thread and O-Ring surface with a Molybdenum-containing gear oil or anti-seize paste such as Schaeffer #214S Supreme One 80W-140 gear oil or Dow Corning Molykote P-37 anti-seize paste.

### Beta Rating

- Performance to  $\beta_{<61\mu}<sup>0.5</sup>=1000$

### Porting Size Options

- 2" SAE 4 Bolt Flange Code 61

### Replacement Filter Lengths

- 10.85" / 275.7mm

### Standard Bypass Ratings

- 50 psi / 345 kPa / 3.5 bar

### Assembly Weight

- Long Housing: 4.76 kg / 10.50 lbs

### Operating Temperatures

- -40° to 250°F (-40° to 121°C)

### Filter Collapse Ratings

- 145 psid / 1000 kPa / 10 bar (standard)





FLK125

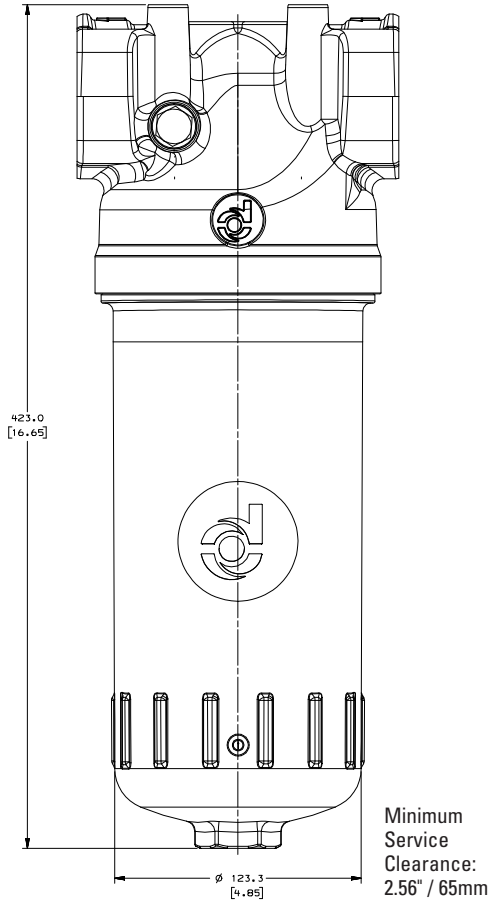
Max Flow: 85 gpm (322 lpm)



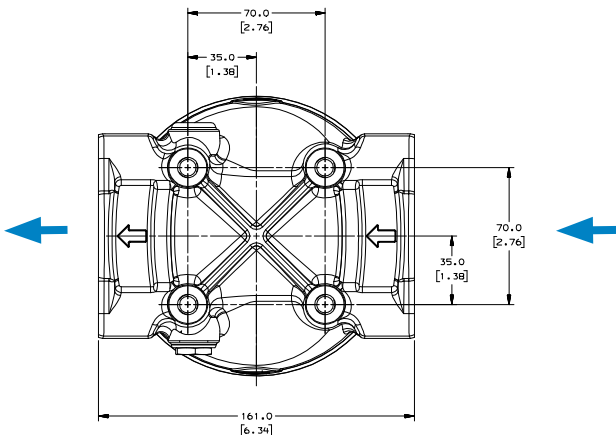
## FLK Specification Illustrations

### LONG ASSEMBLY - SIDE VIEW

All dimensions are shown in millimeters [inches].



### HEAD - TOP VIEW



# FLK125 Components

## Filter Choices

Media Type	$\beta_{x(c)} = 1000$	Length		Part No.
	Rating based on ISO 16889	in	mm	
Synteq Synthetic	6 $\mu\text{m}$	10.74	272.7	P767084
	11 $\mu\text{m}$	10.74	272.7	P767104
	15 $\mu\text{m}$	10.74	272.7	P767106

## Head Choices

Part No.	Port Connections	Bypass Valve
P767095	2" SAE 4 bolt	50 psi (3.4 bar) bypass

## Housing Choices

Part No.	Comments
P767089	Long length assembly

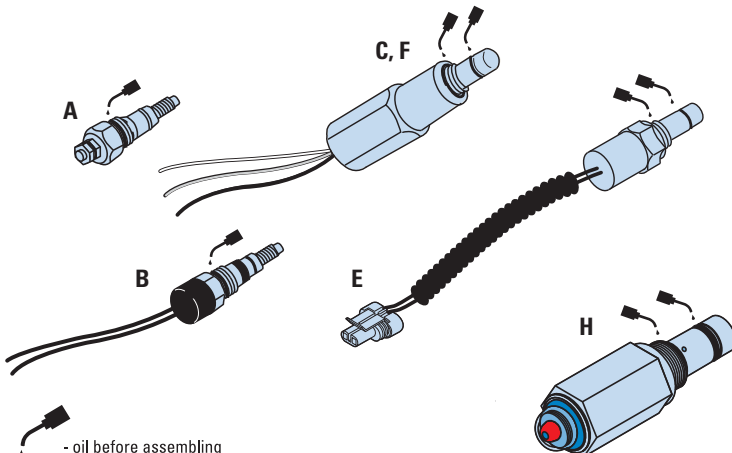
## Service Indicator Choices

Use with Bypass Valve Pressure of:	Indicator Part No.	Style <sup>2</sup>	Description
<b>Electric Models<sup>1</sup></b>			
50 psi / 345 kPa	P165194	A	Single post DC. N.O.
50 psi / 345 kPa	P574968	B	DC 2-wire
50 psi / 345 kPa	P574967	E	DC 2-wire
50 psi / 345 kPa	P575549	F	DC 3-wire
50 psi / 345 kPa	P174396	C	AC/DC 3-wire
25 psi / 172.5 kPa	P575334	H	Visual pop up
50 psi / 345 kPa	P575335	H	Visual pop up

**Indicator Notes**

<sup>1</sup>All electric models have a maximum operating temperature of 250°F / 121°C.

<sup>2</sup>Complete details on all service indicators can be found in the accessories section.



## Performance Data

