



FPK04

Max Flow: 100 gpm (379 lpm)



FPK04 In-Line Cartridge Filters

Working Pressures to:

4350 psi / 30,015 kPa / 300 bar

Rated Static Burst to:

9135 psi / 63,000 kPa / 630 bar

Flow Range To:

100 gpm / 379 lpm

Applications

- High Pressure Circuits
- In-Plant Systems
- Meets HF3 Specification
- Mobile Equipment
- Servo Valve Circuits



Features

The FPK04 T-type ported series offers flows up to 100 gpm (379 lpm) with a bypass option and conforms to the HF3 automotive standard. Donaldson Synteq™ media is offered in a variety of designs. Upgraded Donaldson high-performance DT filters are also offered for superior performance. The differential pressure indicator line is designed to work with the wide assortment of bypass valve options.

- Conforms to HF3 specifications
- High collapse filters available for use with non-bypass applications
- Wide range of indicator options
- Three housing length options for design flexibility
- Nitrile seals standard, fluorocarbon available
- Head material: cast iron
- Housing material: steel

Beta Rating

- Performance to $\beta_{<40}_(c)=1000$

Porting Size Options

- SAE-20 O-Ring

Replacement Filter Lengths

- 4.56" / 116mm
- 4.59" / 117mm
- 8.19" / 208mm
- 8.22" / 209mm
- 8.23" / 209mm
- 12.85" / 326mm
- 12.87" / 327mm
- 12.91" / 328mm

Standard Bypass Ratings

- 87 psi / 600 kPa / 6.0 bar
- No Bypass

Assembly Weight

- 4.59": 26.4 lbs / 12.0 kg
- 8.22": 33 lbs / 15.0 kg
- 12.91": 33 lbs / 15.0 kg

Operating Temperatures

- -4° to 248°F (-20° to 120°C)

Filter Collapse Ratings

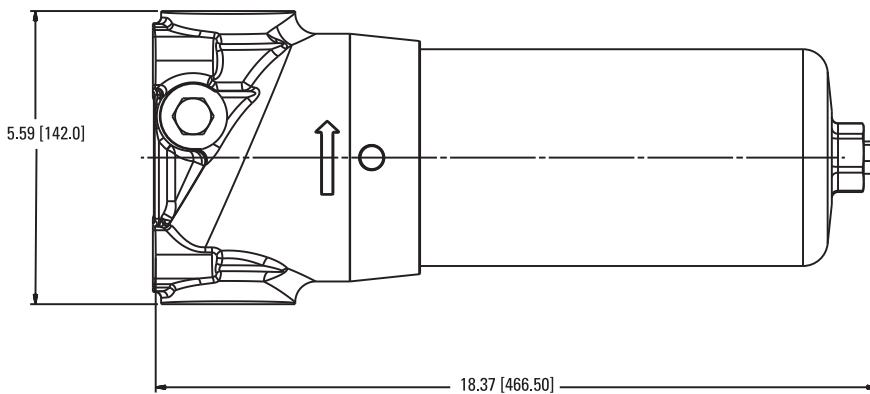
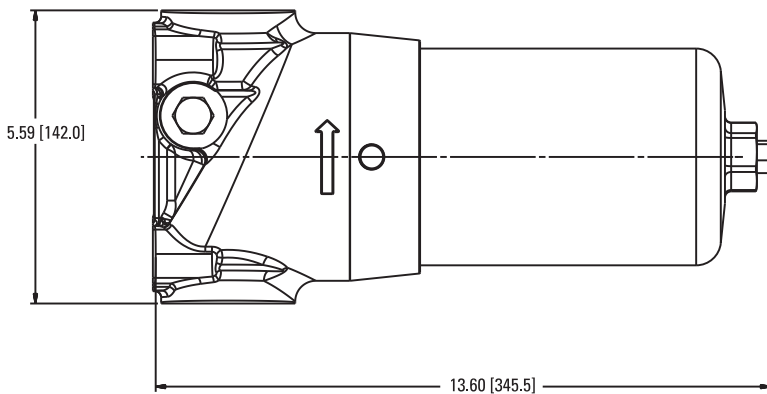
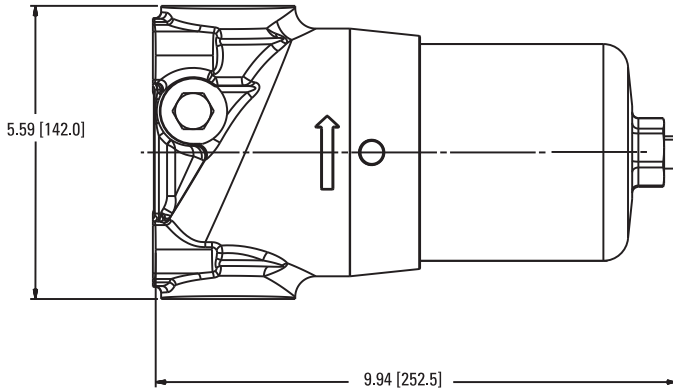
- 290 psi / 1999 kPa / 20.0 bar (standard)
- 3000 psi / 20,700 kPa / 206.8 bar (wire mesh)



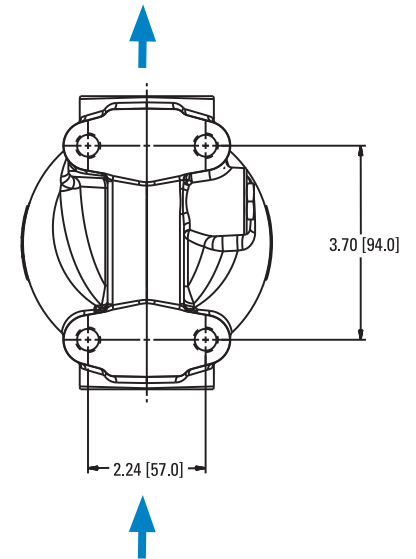
FPK04 Specification Illustrations

ASSEMBLY - SIDE VIEW

All dimensions are shown in inches [millimeters].



HEAD - TOP VIEW





FPK04 Components

Filter Choices

| Media Type | $\beta_{x(c)} = 1000$ | $\beta_{x(c)} = 2$ | Length | | Part No. | Comments |
|------------------|---------------------------|--------------------|--------|---------|-----------------|--|
| | Rating based on ISO 16889 | | in | mm | | |
| DT Synthetic | <4 μm | | 4.59 | 117 | P566204 | DT-9600-4-2UM |
| | 5 μm | | 4.59 | 117 | P566205 | DT-9600-4-5UM |
| | 5 μm | | 4.58 | 116.3 | P167184 | DT-9601-4-5UM, High Collapse |
| | 8 μm | | 4.59 | 117 | P566206 | DT-9600-4-8UM |
| | 12 μm | | 4.59 | 117 | P566207 | DT-9600-4-14UM |
| | 12 μm | | 4.58 | 116.3 | P167843 | DT-9601-8-14UM, High Collapse |
| | 23 μm | | 4.59 | 117 | P566208 | DT-9600-4-25UM |
| | <4 μm | | 8.22 | 209 | P566209 | DT-9600-8-2UM |
| | 5 μm | | 8.22 | 209 | P566210 | DT-9600-8-5UM |
| | 5 μm | | 8.20 | 208.3 | P167185 | DT-9601-4-14UM, High Collapse |
| | 8 μm | | 8.22 | 209 | P566211 | DT-9600-8-8UM |
| | 12 μm | | 8.22 | 209 | P566212 | DT-9600-8-14UM |
| | 12 μm | | 8.20 | 208.3 | P167186 | DT-9601-13-5UM, High Collapse |
| | 23 μm | | 8.22 | 209 | P566213 | DT-9600-8-25UM |
| | <4 μm | | 12.91 | 328 | P566214 | DT-9600-13-2UM |
| | 5 μm | | 12.91 | 328 | P566215 | DT-9600-13-5UM |
| | 5 μm | | 12.88 | 327.2 | P167411 | DT-9601-8-5UM, High Collapse |
| | 8 μm | | 12.91 | 328 | P566216 | DT-9600-13-8UM |
| | 12 μm | | 12.91 | 328 | P566217 | DT-9600-13-14UM |
| | 12 μm | | 12.88 | 327.2 | P167412 | DT-9601-13-14UM, High Collapse |
| 23 μm | | 12.91 | 328 | P566218 | DT-9600-13-25UM | |
| Water Absorbing | | 10 μm | 8.20 | 208.3 | P569528 | 9600 Absorbs 180 ml of water @ 25 psid |
| | | 10 μm | 12.93 | 328.4 | P569529 | 9600 Absorbs 220 ml of water @ 25 psid |
| Wire Mesh | | 75 μm | 8.20 | 208.3 | P162233 | 9600 Nitrile, Wire mesh |



Filter Notes: All Donaldson DT filters utilize glass fiber media with an epoxy-based resin system for the ultimate in chemical compatibility. All Donaldson DT filters are potted with epoxy-based adhesives. Standard collapse DT designs are double wire-backed using epoxy-coated steel mesh for maximum pleat support and dirt capacity. Fluorocarbon seals are standard on all Donaldson DT filters. Refer to the table in the Technical Reference Guide for fluid compatibility with our filter media. If you're filtering diester, phosphate ester fluids, water glycol, water/oil emulsions, and HWCF over 150°F/83°C, use filters with seals made of fluorocarbon. High collapse designs are double wire-backed using stainless steel mesh. High collapse designs are also potted into machined aluminum endcaps for greater filter integrity in critical applications. Donaldson "high collapse" filters, with their steel end caps and wire-backed media, are rated to withstand up to 3000 psi/20,700 kPa before collapsing. The fluorocarbon seal/high collapse filters also use epoxy potting and media seam seals for added chemical compatibility.

Head Choices

| Port Size | Bypass Rating | Indicators | Part No. |
|-----------|----------------|--------------|----------|
| SAE-20 | 87 psi / 6 bar | plugged only | P568720 |
| SAE-20 | No bypass | plugged only | P568721 |

Housing Choices

| Filter Length | Part No. |
|-----------------|----------|
| 4.6" (116.8mm) | P568722 |
| 8.2" (208.3mm) | P568723 |
| 12.9" (327.7mm) | P568724 |

Notes: Housings include the head to housing seal.

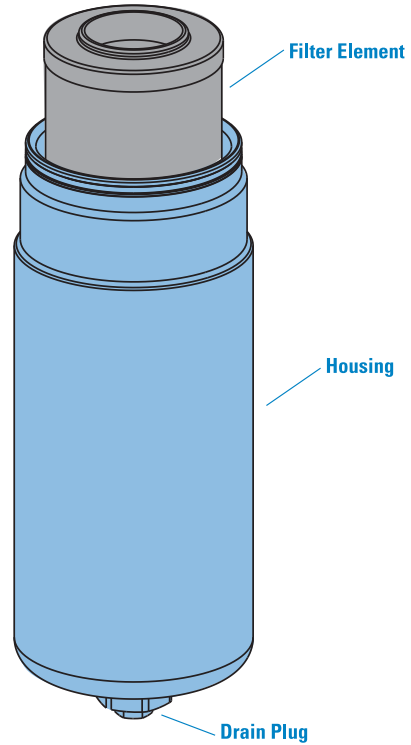
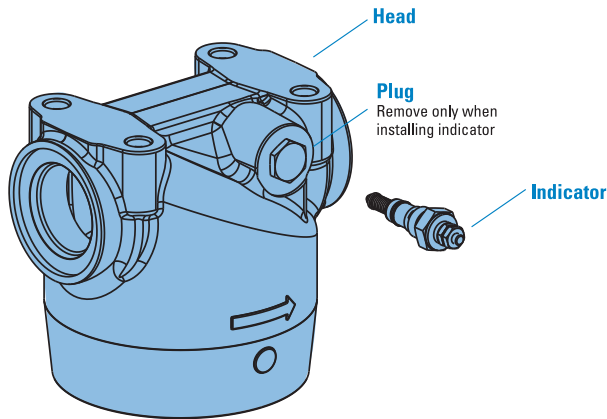
Indicator Choices

| Set Point / Type | Part No. |
|--|----------|
| 39 psi / 2.7 bar, electrical, normally open. | P165194 |
| 39 psi / 2.7 bar, electrical, normally closed, D.C. two-wire | P574967 |
| 39 psi / 2.7 bar, electrical, normally open, D.C. two-wire | P574968 |

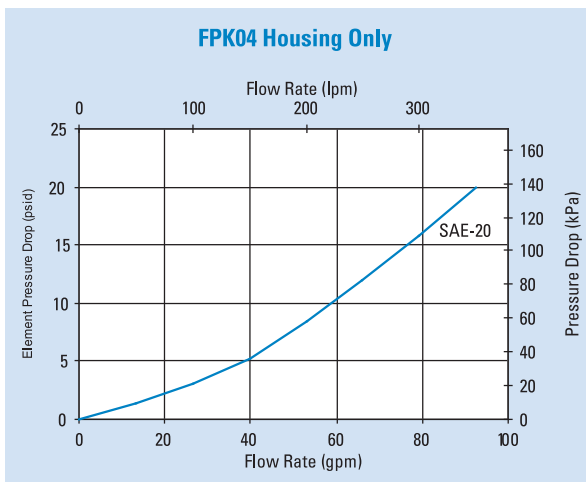
FPK04 Service Parts

SERVICE PARTS NOTE:

Some service parts may not be stocked. Please contact your Donaldson sales representative for lead time details.



Performance Data





Performance Data

