

DPK2400 In-Line Cartridge Filters

Working Pressures to:

2400 psi / 16547 kPa / 165.4 bar

Rated Static Burst to:

8000 psi / 55157 kPa / 552 bar

Flow Range To:

100 gpm / 379 lpm

Applications

- In-plant Systems
- Process Fluids
- Lube Oil Systems

Features

DPK2400 duplex filter assemblies allow continuous filtration during filter servicing to avoid machine shutdown. The DPK2400 duplex design combines durable iron heads and carbon steel housings for superior, high-strength performance. Choose between optional features such as no bypass, bypass valve, visual indicators or combination electrical/visual indicators for a customized assembly that best fits the needs of your specific application. Filter performance ranges from 5 μ to 25 μ at beta 1000 and high collapse elements are available at 5 μ and 27 μ , offering additional flexibility to achieve the filtration level your system requires.

- Head Material: Durable Iron
- Housing Material: Carbon Steel
- Optional visual and visual / electric indicators
- Self locking transfer valve
- Automatic bleed-over valve



Beta Rating

- Performance to $\beta_{5(\mu)}$ =1000

Porting Size Options

- 1-1/2" SAE 4-Bolt Flange Code 61

Replacement Filter Lengths

- 14.62" / 371mm

Standard Bypass Ratings

- 100 psi / 690 kPa / 6.9 bar
- No bypass

Assembly Weight

- 98 lbs / 20 kg

Operating Temperatures

- -40° to 250°F (-40° to 121°C)

Filter Collapse Ratings

- 300 psid / 207 kPa / 20.7 bar (standard)
- 3045 psid / 2100 kPa / 210 bar (high collapse)



DPK2400

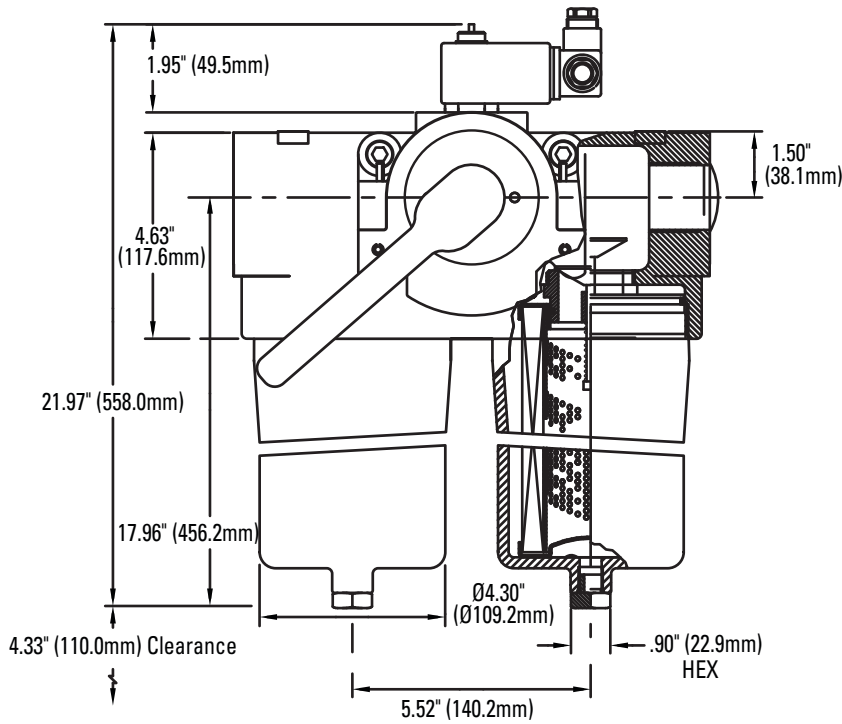
Max Flow: 100 gpm (379 lpm)



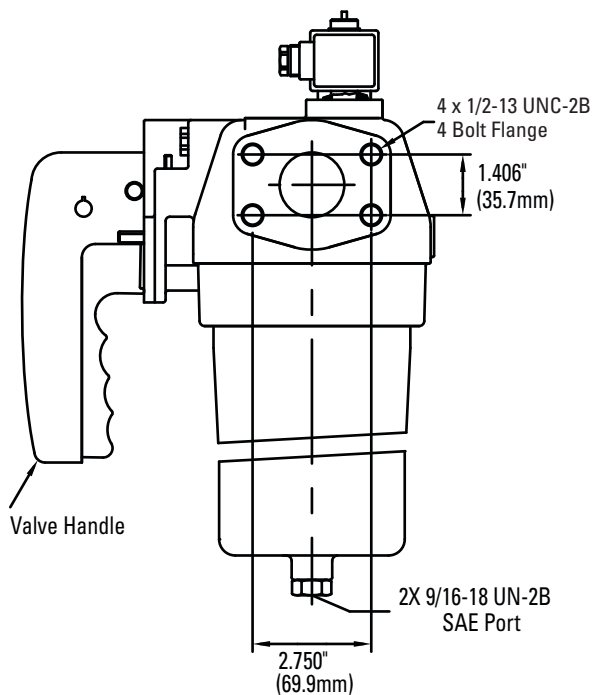
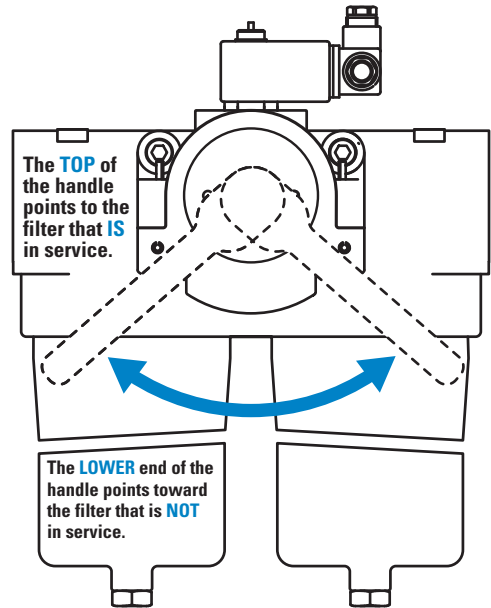
DPK2400 Specification Illustrations

ASSEMBLY - SIDE VIEW

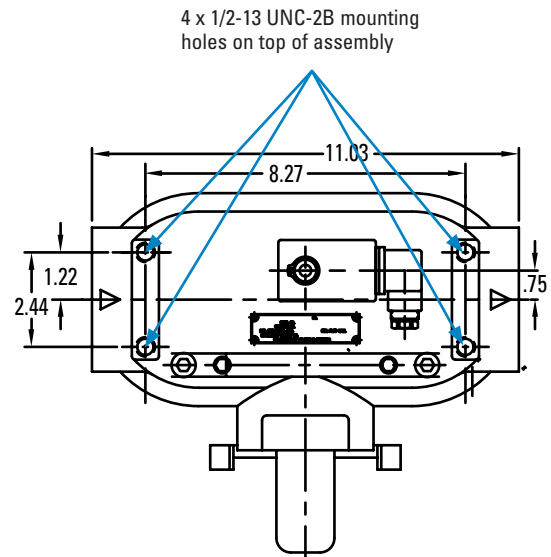
All dimensions are shown in inches [millimeters].



The handle shifts fluid flow from one filter to the other.



HEAD - TOP VIEW



DPK2400 Components

Filter Choices

Media Type	$\beta_{x(c)} = 1000$	Length		Part No.	Comments
	Rating based on ISO 16889	in	mm		
DT Synthetic	5 μm	14.62	371	P567101	
	5 μm	14.69	373	P560716	High collapse
	8 μm	14.62	371	P567102	
	12 μm	14.62	371	P567103	
	23 μm	14.62	371	P567104	
	27 μm	14.69	373	P560718	High collapse

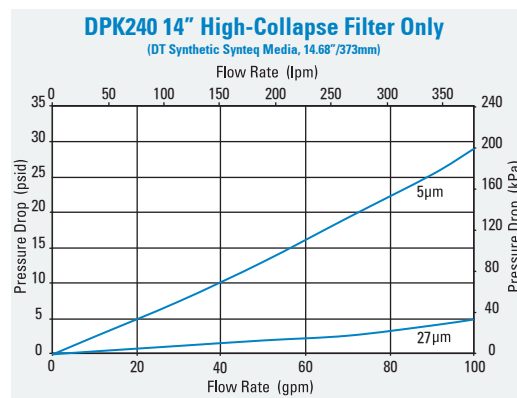
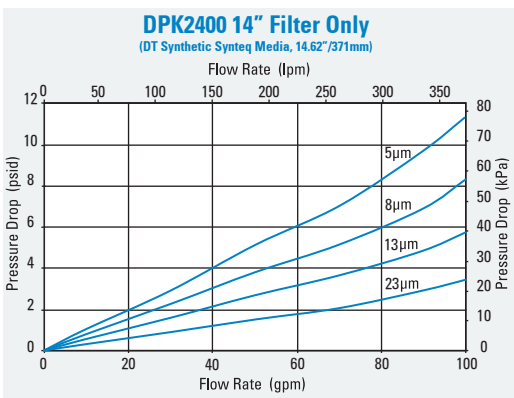
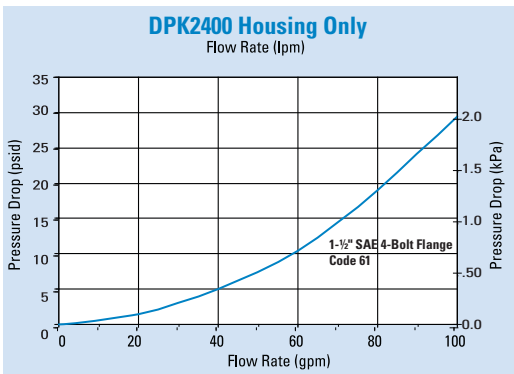
Assembly Choices

Part No.	Port Connections	Bypass Valve	Comments
P577026	1-1/2" SAE 4-bolt flange code 61	No bypass	Filter elements not included with assembly.
P577027	1-1/2" SAE 4-bolt flange code 61	100 psi (6.9 bar) bypass	Filter elements not included with assembly.

Service Indicator Choices

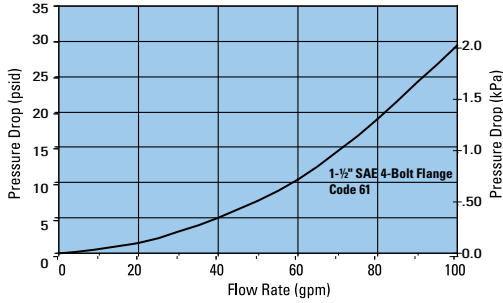
Use with Bypass Valve Pressure of:	Indicator Part No.	Seal Material	Connector Style
Visual Models			
100 psi / 690 kPa	P577030	Fluorocarbon seal	Manual reset
Visual / Electric Models			
100 psi / 690 kPa	P577031	Fluorocarbon seal	Hirschman

Performance Data

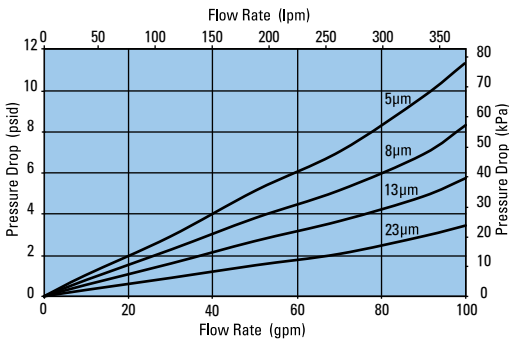


Performance Data

DPK2400 Housing Only
Flow Rate (lpm)



DPK2400 14" Filter Only
(DT Synthetic Synteq Media, 14.62"/371mm)



DPK240 14" High-Collapse Filter Only
(DT Synthetic Synteq Media, 14.68"/373mm)

