



## 76 mm Filter Assembly

### Max Flow Rate

Primary: 95 lph / 25 gph  
Secondary: 150 lph / 40 gph  
*See filter chart for flow rates*

### Operating Pressure

210 kPa / 0-30 psi with bowl  
690 kPa / 0-100 psi without bowl

### Temperature Range

-40 °C to 121 °C / -40 °F to 250 °F

### Fuel Compatibility

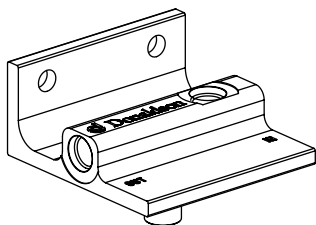
#1 or #2 Diesel, Kerosene, Biodiesel  
up to B20 and JP8



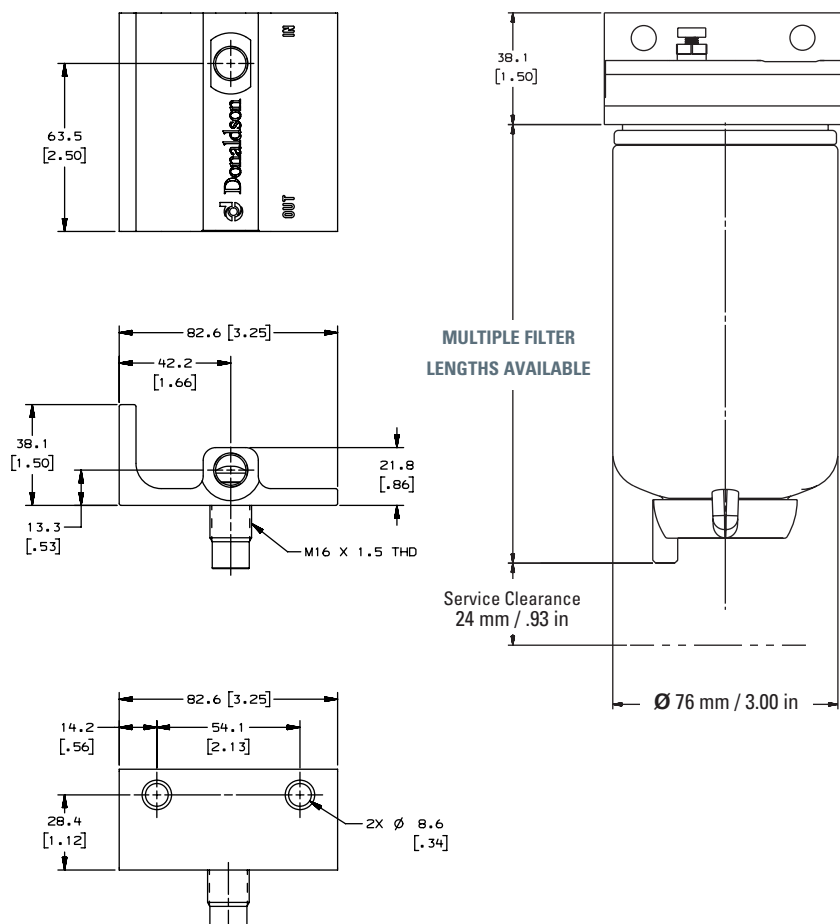
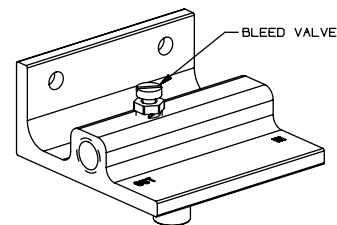


# Specification Illustrations

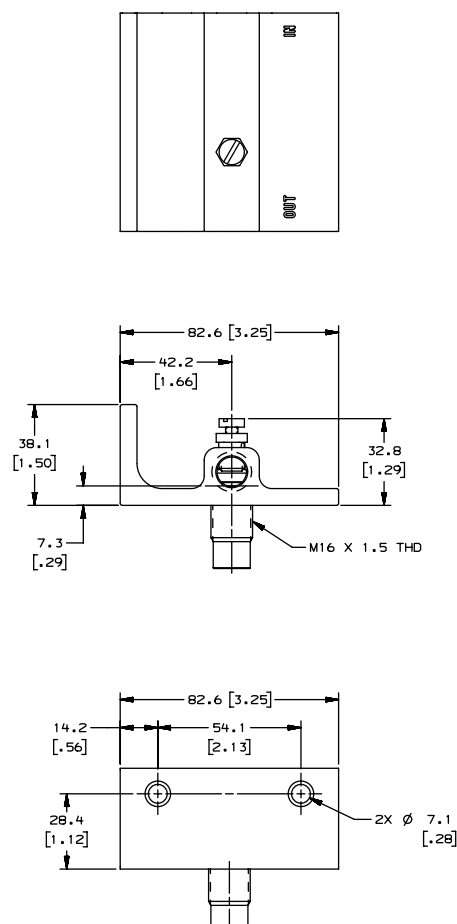
## BASIC HEAD



## BASIC HEAD WITH BLEED VALVE





1/2"-20 UNF Ports (2)  
PART NO. P562263



1/4"-18 NPT Ports (2)  
PART NO. P560382



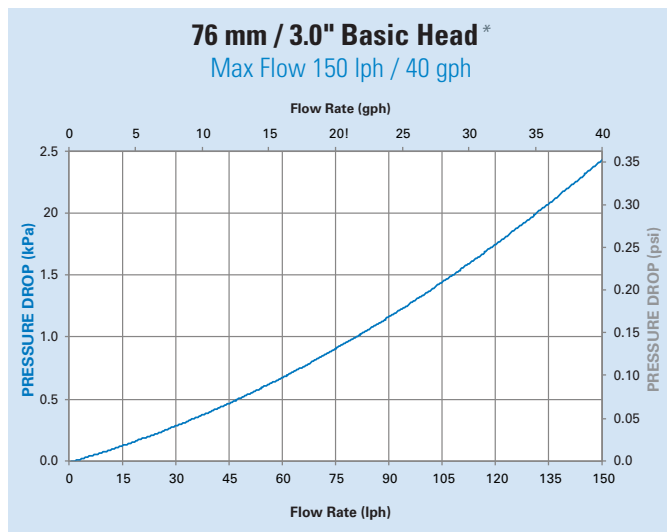
## Filter Selection Chart

| Filter Style   | Maximum Recommended Flow Rate |     | Filter Length* |      | Media Type | Efficiency @ 99% per ISO 19438 | Part Number |
|--|-------------------------------|-----|----------------|------|------------|--------------------------------|-------------|
|  | lph                           | gph | mm             | in   |            |                                |             |
| <b>Primary</b>   |                               |     |                |      |            |                                |             |
|  Standard Drain | 40                            | 10  | 101.8          | 4.01 | Cellulose  | 15 µm                          | P551039     |
|  | 95                            | 25  | 147.7          | 5.82 | Cellulose  | 3 µm                           | P551615     |
|  |                               |     |                |      | Cellulose  | 11 µm                          | P550588     |
|  |                               |     |                |      | Cellulose  | 15 µm                          | P550248     |
| <b>Secondary</b>   |                               |     |                |      |            |                                |             |
|  No Drain       | 95                            | 25  | 82.8           | 3.26 | Cellulose  | 9 µm                           | P555095†    |
|  |                               |     |                |      | Cellulose  | 16 µm                          | P550345†    |
|  | 150                           | 40  | 120.0          | 4.72 | Cellulose  | 9 µm                           | P550943†    |
|  |                               |     |                |      | Cellulose  | 16 µm                          | P550440†    |




\* Water Collection Bowl (part no. P569758) adds 50 mm / 1.98 in. to filter length.  
† For use on non-high pressure common rail fuel systems only. For Tier 4 applications, contact your Donaldson sales representative.

## Performance Curves



\* Filter elements add an additional 1-2 kPa (0.14 - 0.29 psi) restriction to filter assembly at the max recommended flow rate.

## Water in Fuel Sensor & Dashboard Display Kit

| WIF and Display Kit   | Part Number |
|---|-------------|
|  | X220112*    |

This kit contains a WIF sensor drain valve with electrical plug, wiring loom and a dash mount LED display.

- Detects separated water in both filter and water collection bowl
- Adjustable LED display brightness
- Automatically resets display after water is drained
- Can be used with any Donaldson Twist&Drain™ style fuel filter

\* Lead times may apply. Please contact your Donaldson sales representative for lead time details.