

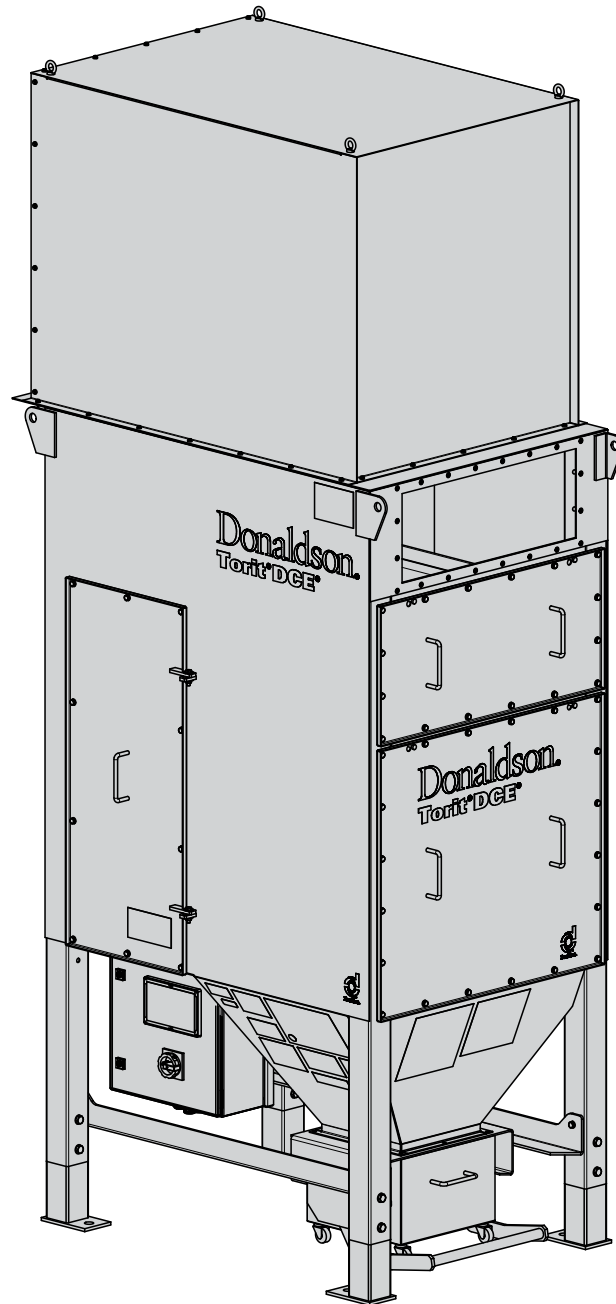


Donaldson
FILTRATION SOLUTIONS

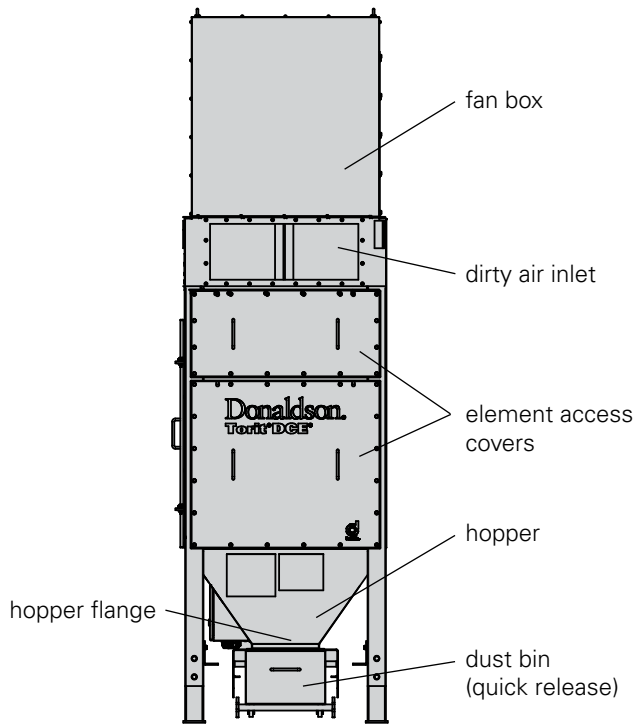
TECHNICAL DATASHEET

DFPRE Dust Collectors

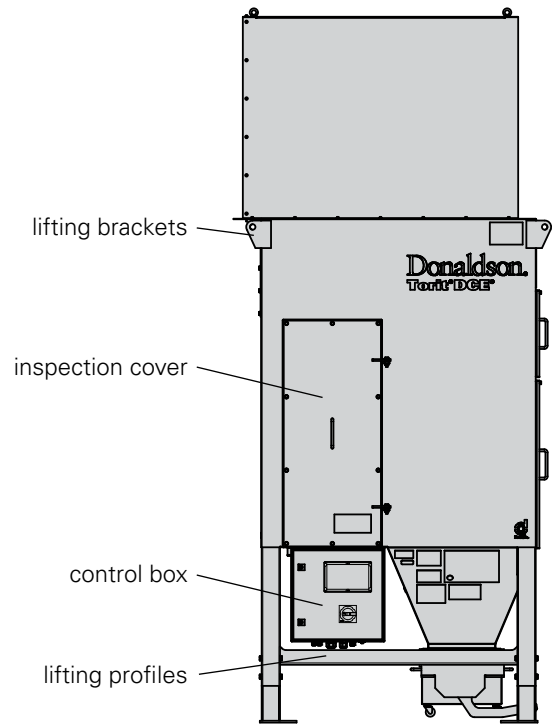
Serie DFPRE 6L



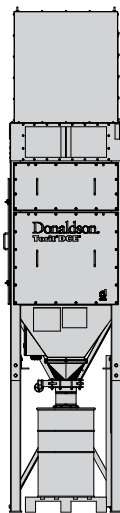
DESIGN SPECIFICATIONS



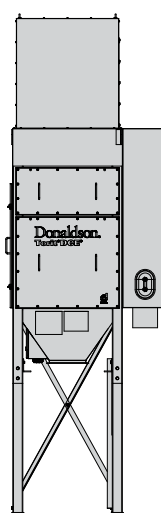
FRONT VIEW



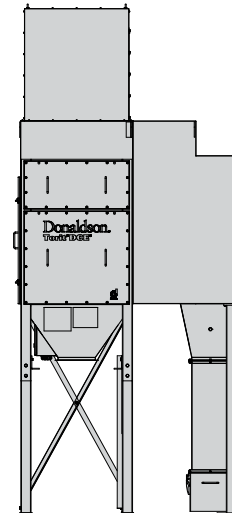
SIDE VIEW



**DFPRE 6L
STANDARD**



**DFPRE 6L
SPARKTRAP**

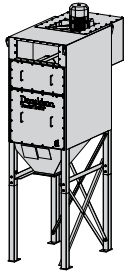


**DFPRE 6L
CYCLOPEEL**

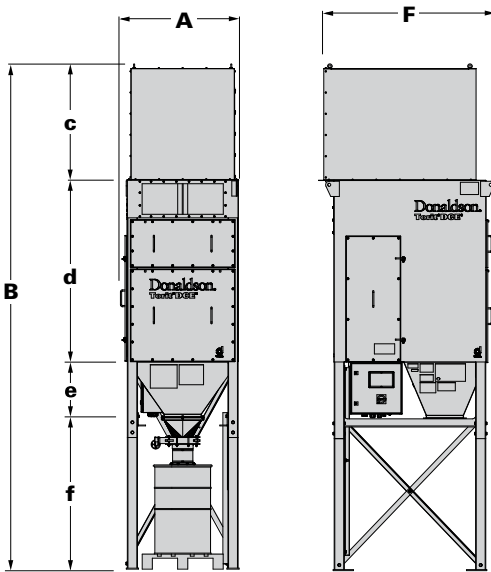
DESIGN LIMITS

- Operating temperature:** -10° to +40°C
- Maximum operating pressure:** ±5 kPa (500 mm WG)
- Wind load rating:** 160 km/h
- Finishing:** Acrylated alkyd paint colour RAL 5019 (blue) - semi gloss

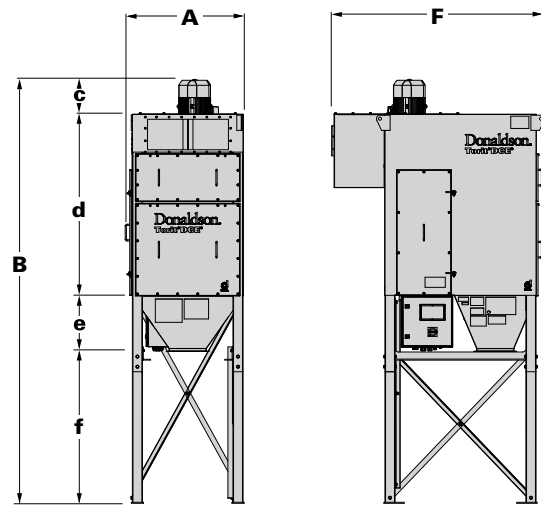
DIMENSIONS & SPECIFICATIONS



DFPRE 6L STANDARD



ROOF MOUNTED FAN



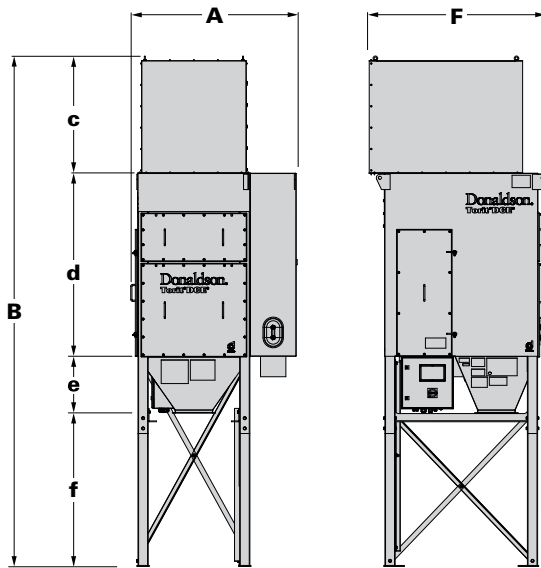
PARTIALLY INTEGRATED FAN

Model	No. of cartridges	No. of valves	Fan	Dust disposal system	Dimensions (mm)						
					A	B	c	d	e	f	F
DFPRE 6L	6	6	Roof mounted	200 L drum	1168	4987	1142	1797	548	1500	1730
				80 L drum	1168	4552	1142	1797	548	1065	1730
				hook-on dustbin	1168	3887	1142	1797	548	400	1730
				quick release	1168	3887	1142	1797	548	400	1730
DFPRE 6L	6	6	Partially integrated	200 L drum	1168	4182	337	1797	548	1500	2079
				80 L drum	1168	3747	337	1797	548	1065	2079
				hook-on dustbin	1168	3082	337	1797	548	400	2079
				quick release	1168	3082	337	1797	548	400	2079

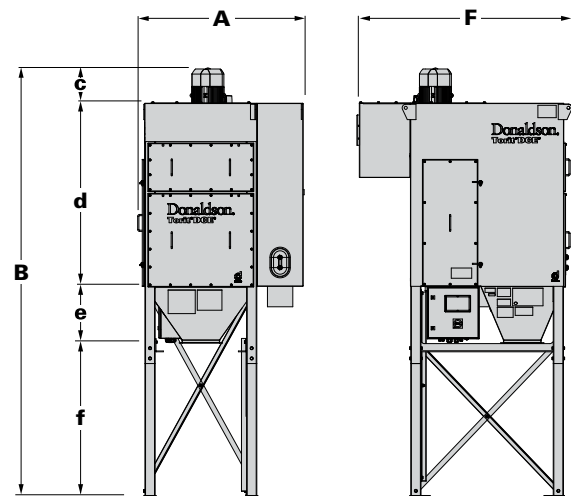
DIMENSIONS & SPECIFICATIONS



DFPRE 6L SPARKTRAP



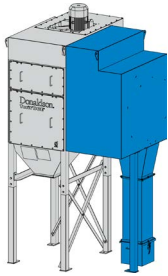
ROOF MOUNTED FAN



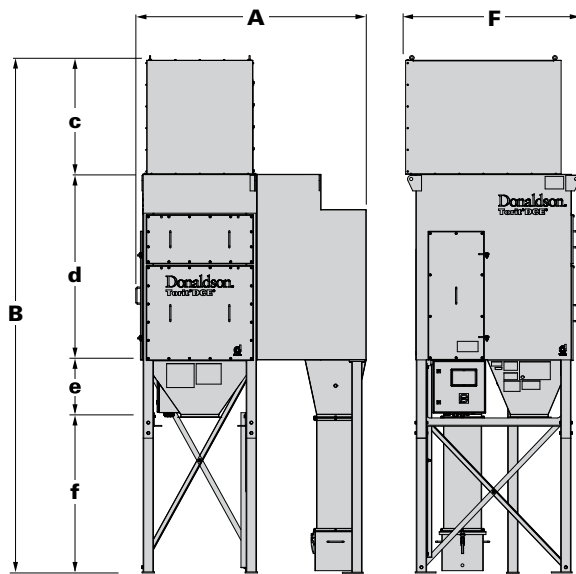
PARTIALLY INTEGRATED FAN

Model	No. of cartridges	No. of valves	Fan	Dust disposal system	Dimensions (mm)						
					A	B	c	d	e	f	F
DFPRE 6L Sparktrap	6	6	Roof mounted	200 L drum	1615	4987	1142	1797	548	1500	1730
				80 L drum	1615	4552	1142	1797	548	1065	1730
				hook-on dustbin	1615	3887	1142	1797	548	400	1730
				quick release	1615	3887	1142	1797	548	400	1730
DFPRE 6L Sparktrap	6	6	Partially integrated	200 L drum	1615	4182	337	1797	548	1500	2079
				80 L drum	1615	3747	337	1797	548	1065	2079
				hook-on dustbin	1615	3082	337	1797	548	400	2079
				quick release	1615	3082	337	1797	548	400	2079

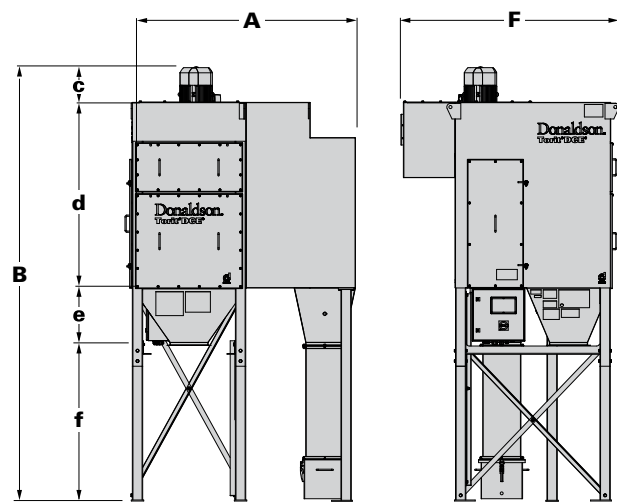
DIMENSIONS & SPECIFICATIONS



DFPRE 6L CYCLOPEEL



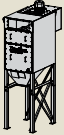
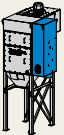
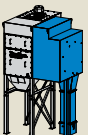
ROOF MOUNTED FAN



PARTIALLY INTEGRATED FAN

Model	No. of cartridges	No. of valves	Fan	Dust disposal system	Dimensions (mm)						
					A	B	c	d	e	f	F
DFPRE 6L Cyclopeel	6	6	Roof mounted	200 L drum	2220	4987	1142	1797	548	1500	1730
				80 L drum	2220	4552	1142	1797	548	1065	1730
				hook-on dustbin	2220	3887	1142	1797	548	400	1730
				quick release	2220	3887	1142	1797	548	400	1730
DFPRE 6L Cyclopeel	6	6	Partially integrated	200 L drum	2220	4182	337	1797	548	1500	2079
				80 L drum	2220	3747	337	1797	548	1065	2079
				hook-on dustbin	2220	3082	337	1797	548	400	2079
				quick release	2220	3082	337	1797	548	400	2079

COLLECTOR WEIGHTS

Model		Hopper clearance (in mm)	Weight (in kg)
DFPRE 6L Standard		400	740
		1065	765
		1500	790
DFPRE 6L Sparktrap		400	861
		1065	886
		1500	911
DFPRE 6L Cyclopeel		400	1020
		1065	1045
		1500	1070

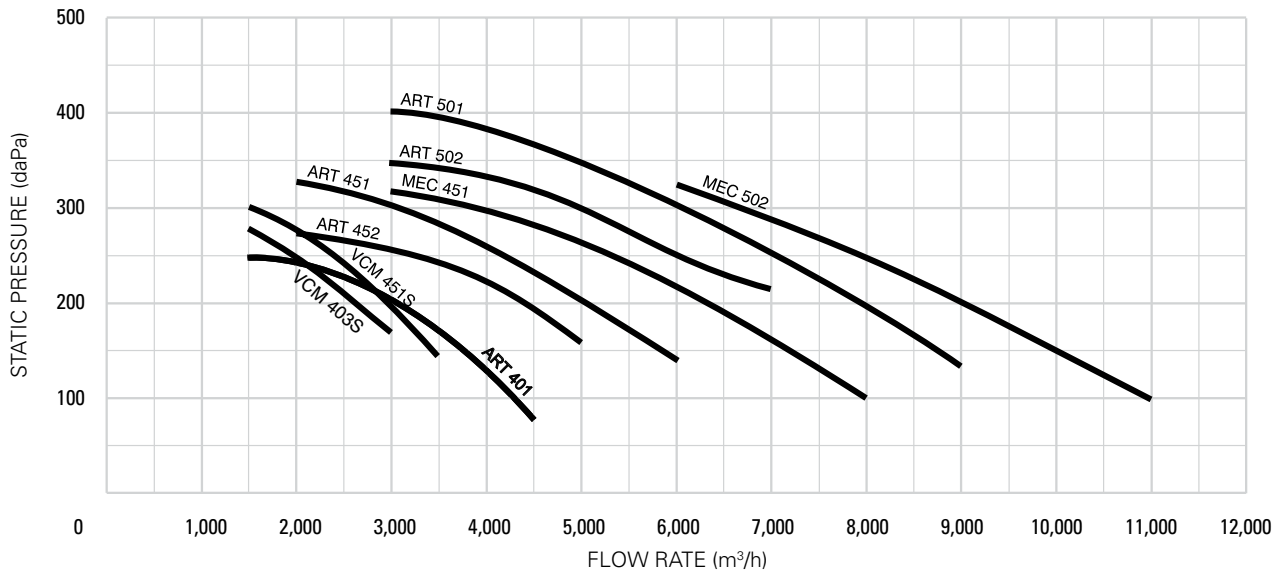
Weights include filter cartridges and are for collectors prior to first use, i.e. with no dust collected.

Excludes fan set weight and dust disposal system.

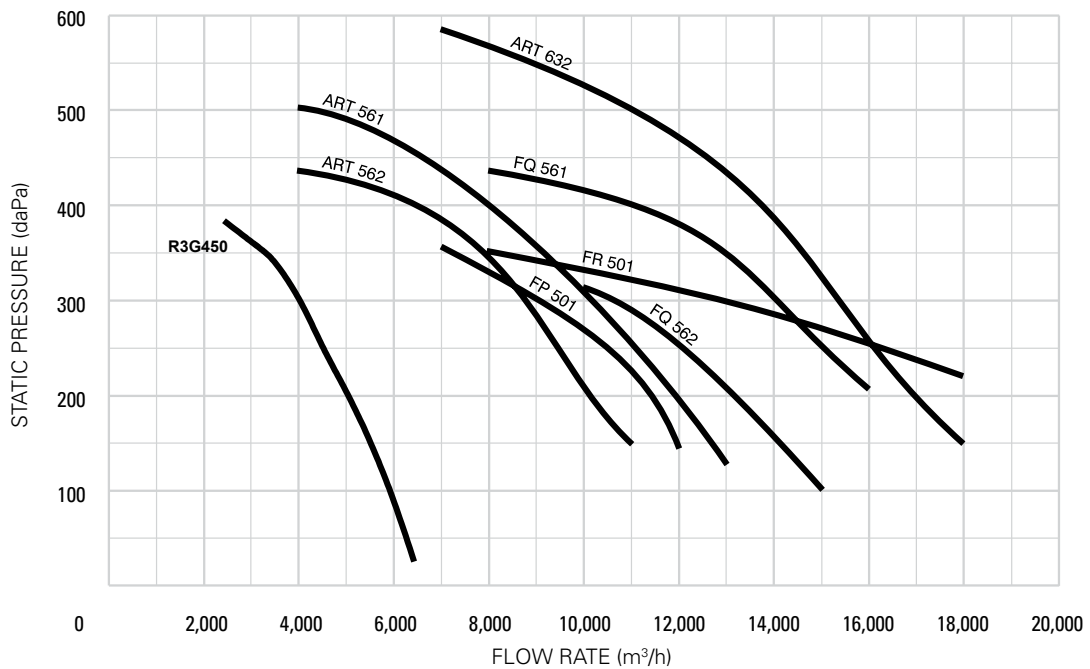
FAN SETS

Fan type	Power (in kW)	Frequency	Weight (in kg)
VCM 403S	2.2	50	41
VCM 451S	3	50	70
ART 452	4	50	98
ART 451	5.5	60	110
MEC 451	7.5	60	159
ART 502	7.5	60	151
ART 501	11	50	208
MEC 502	11	60	239
ART 562	11	50	230
FP 501	11	50	251
ART 561	15	50	250
FQ 562	15	50	310
FQ 561	18.5	50	304
FR 501	18.5	50	207
ART 632	22	50	346

FAN PERFORMANCE CURVES



FAN PERFORMANCE CURVES (2.2 to 11 kW)



FAN PERFORMANCE CURVES (11 TO 22 KW)

FAN SELECTION

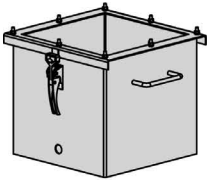
These curves indicate static pressure available at fan inlet for a given application, when fitted into a collector.

To select the most suitable fan for a given application:

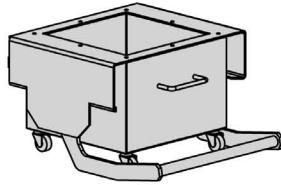
- 1 Determine the air volume, in m³/h, needed to entrain the dust.
- 2 Estimate pressure drop through connected system – i.e. between point of entrainment and collector inlet.
- 3 Assess pressure drop over dust collector, prior to replacing filter cartridges, usually 100 daPa.
- 4 The sum of **2** and **3** = static pressure at inlet.
- 5 Consult graph for fan performance available.

DUST DISPOSAL OPTIONS

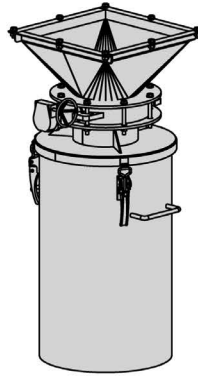
**HOOK ON
DUST BIN**



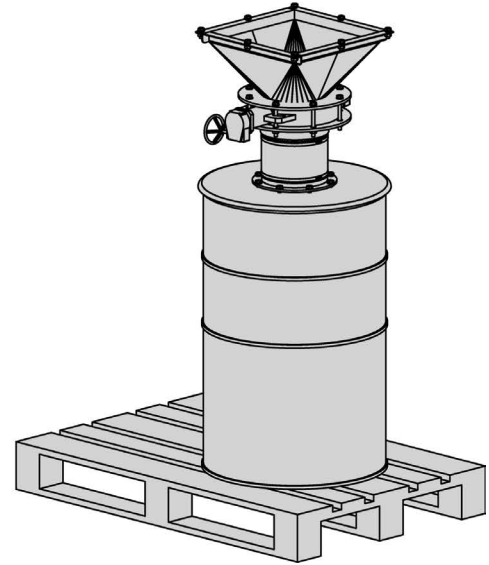
**QUICK RELEASE
DUST BIN**



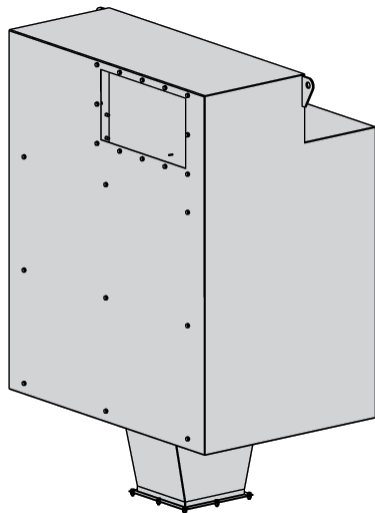
80 L DRUM



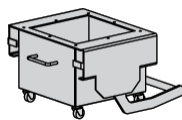
200 L DRUM



Dust disposal options	Hopper clearance (in mm)	Approx. weight (in kg)
quick release dust bin	400	40
hook-on dust bin	400	22
80 L drum	1065	15
200 L drum	1500	40



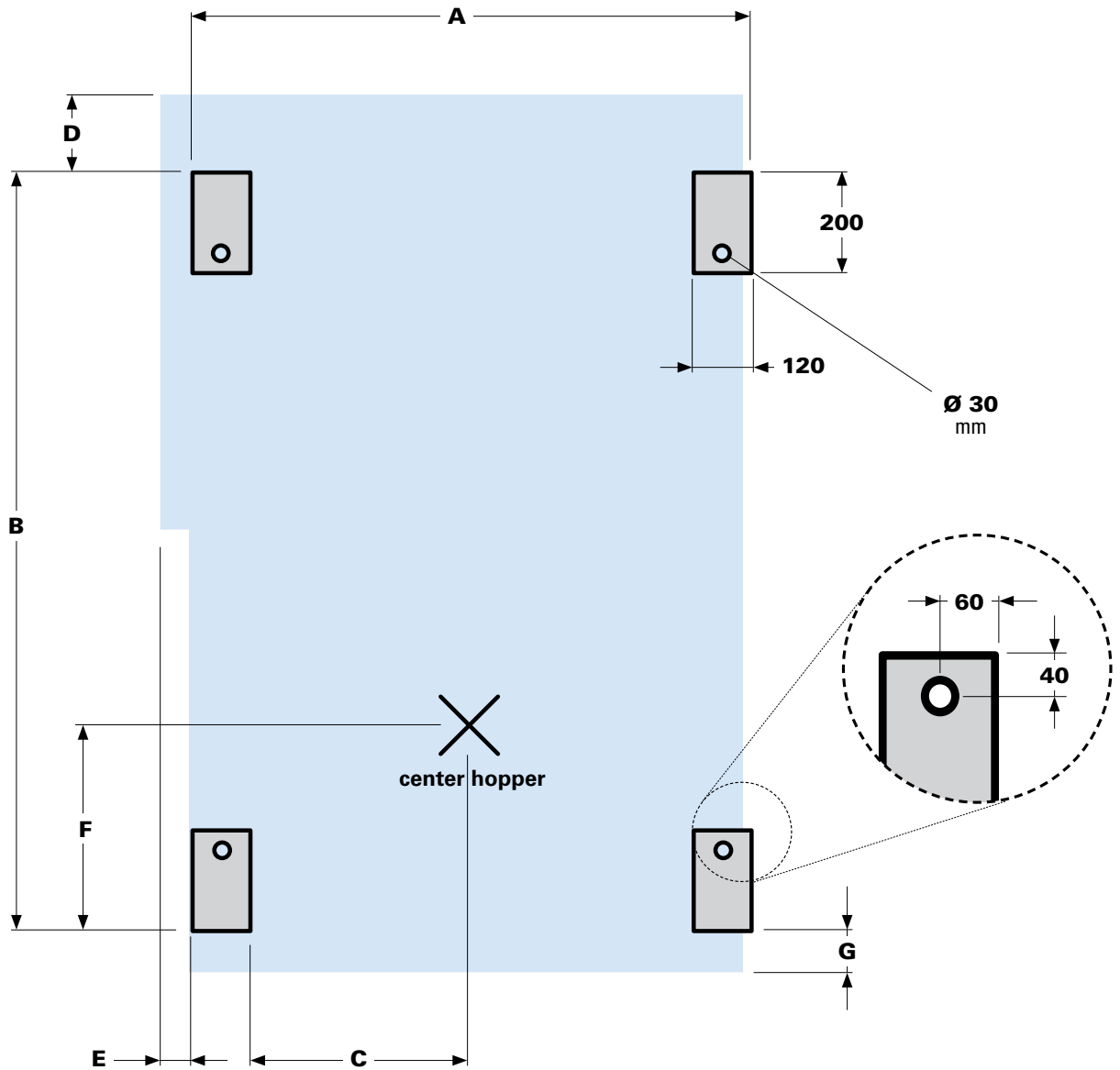
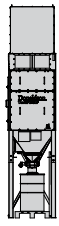
**HOOK ON
DUST BIN**



**QUICK RELEASE
DUST BIN**

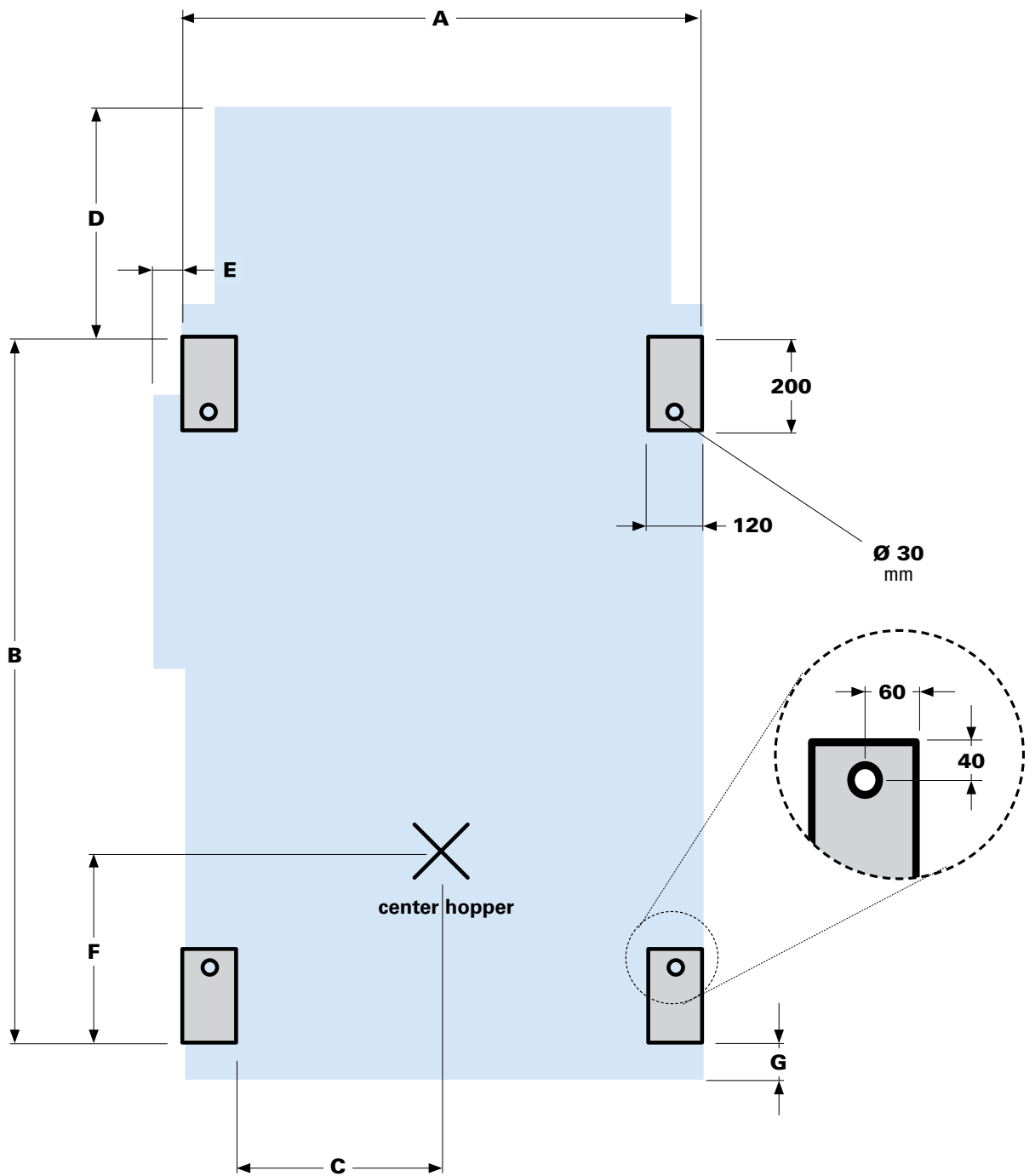
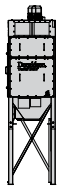
Dust disposal options Cyclopeel	Hopper clearance (in mm)
quick release dust bin	400
hook-on dust bin	400

FOUNDATION DETAILS - STANDARD - ROOF MOUNTED FAN



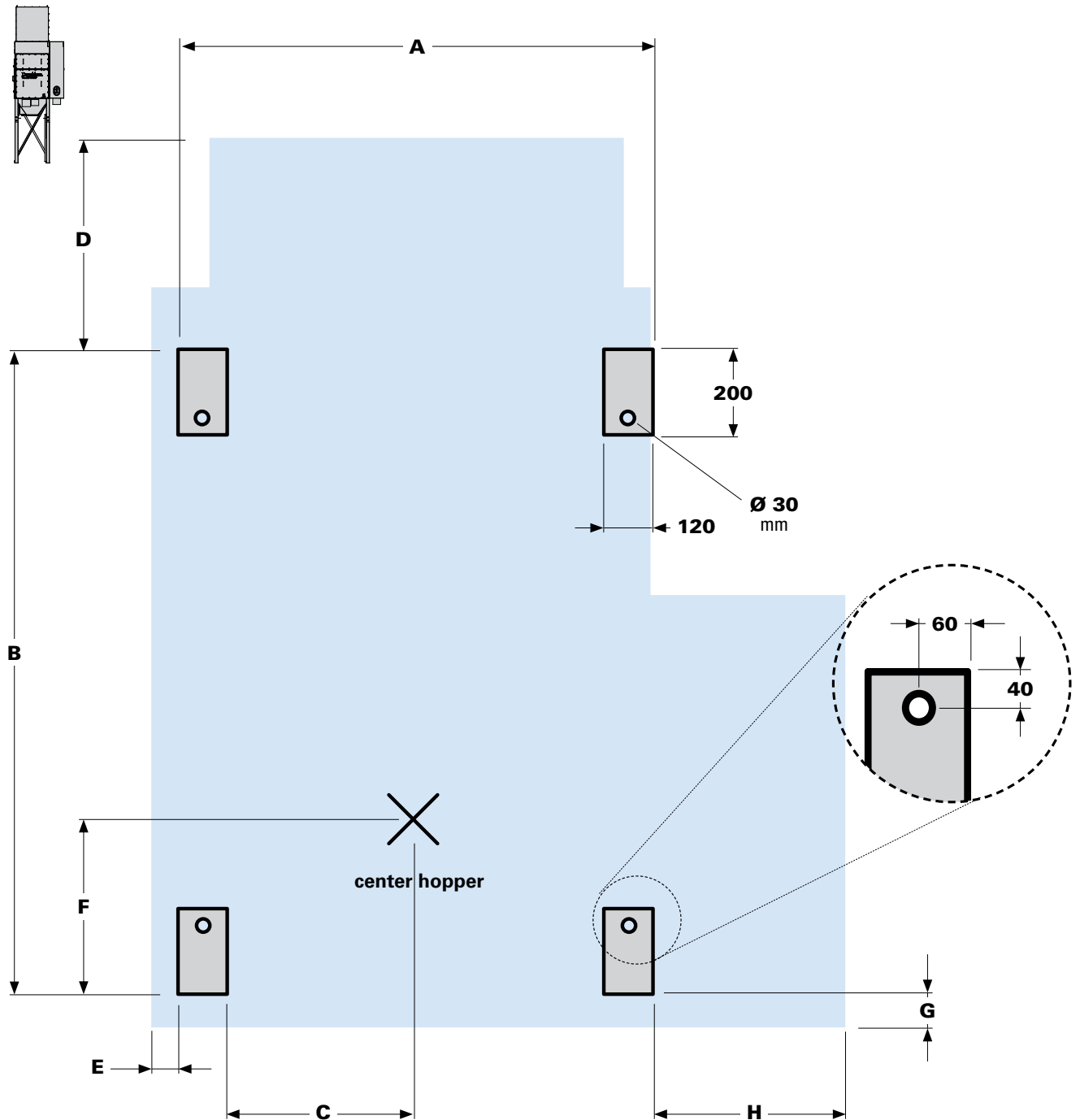
Standard - Roof mounted fan dimensions (in mm)						
A	B	C	D	E	F	G
1114	1513	437	143.5	58	412.8	73

FOUNDATION DETAILS - STANDARD - PARTIALLY INTEGRATED FAN



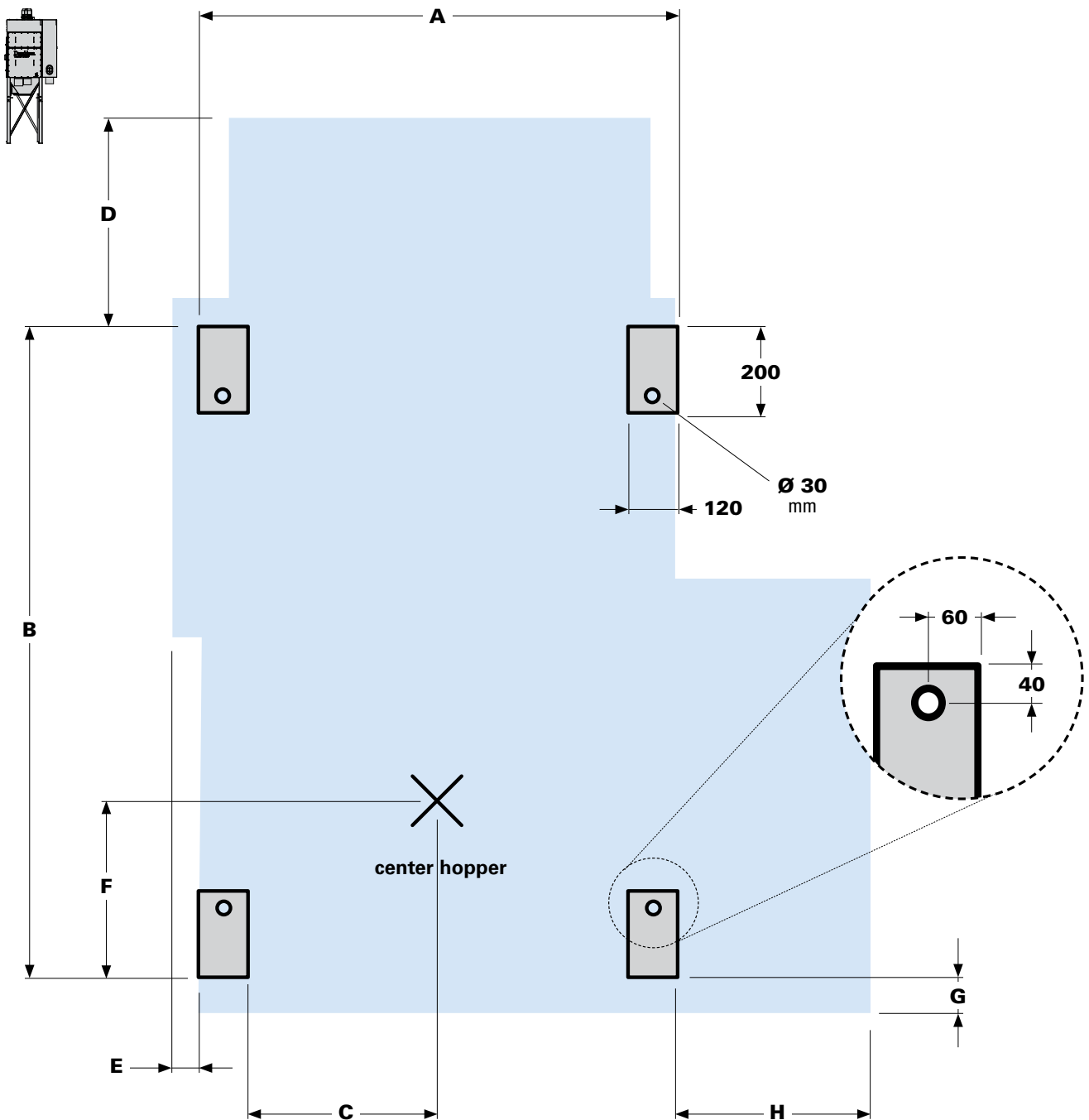
Standard - Partially integrated fan dimensions (in mm)						
A	B	C	D	E	F	G
1114	1513	437	493	58	412.8	73

FOUNDATION DETAILS - SPARKTRAP - ROOF MOUNTED FAN



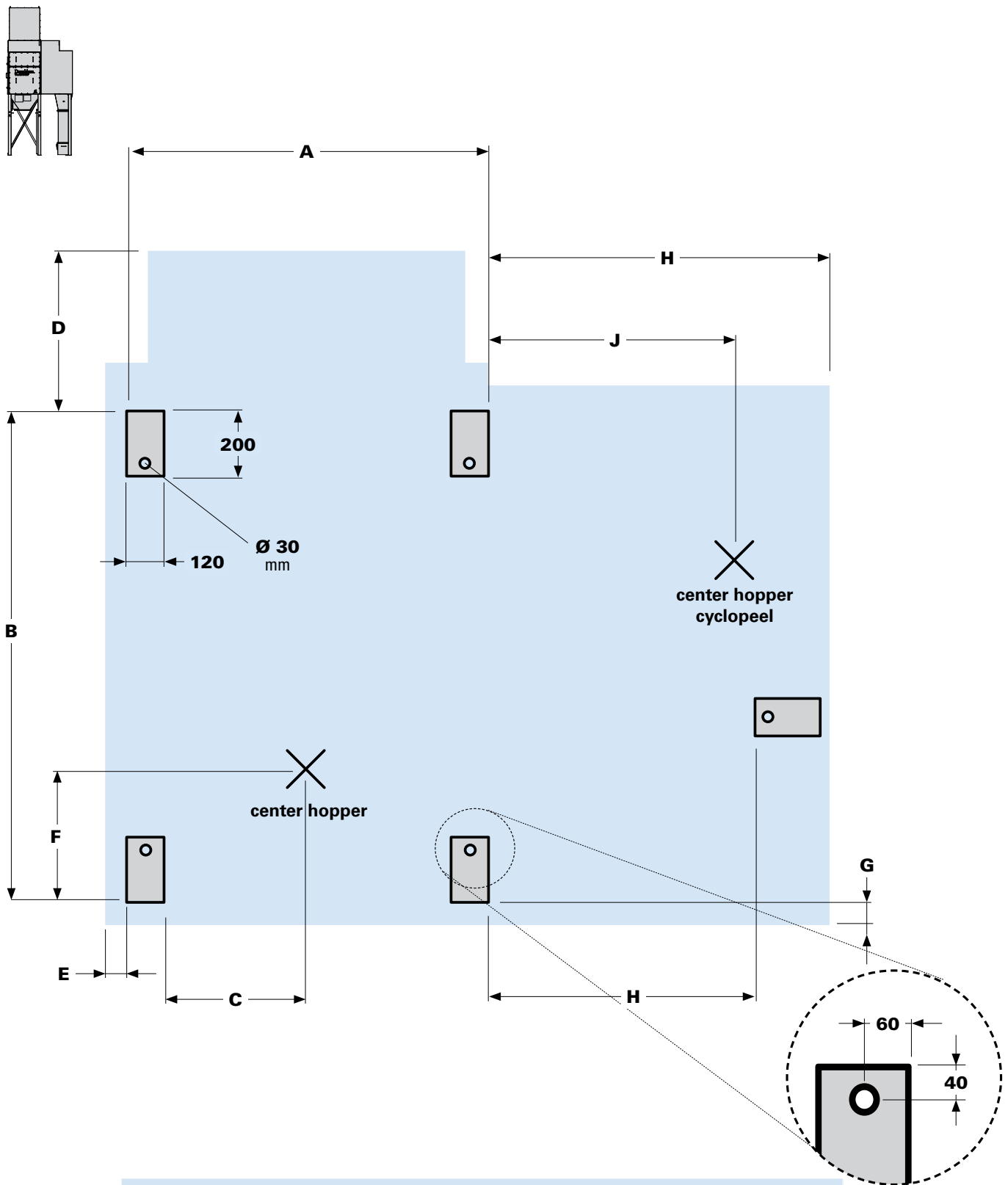
Sparktrap - Roof mounted fan dimensions (in mm)							
A	B	C	D	E	F	G	H
1114	1513	437	143.5	58	412.8	73	443

FOUNDATION DETAILS - SPARKTRAP - PARTIALLY INTEGRATED FAN



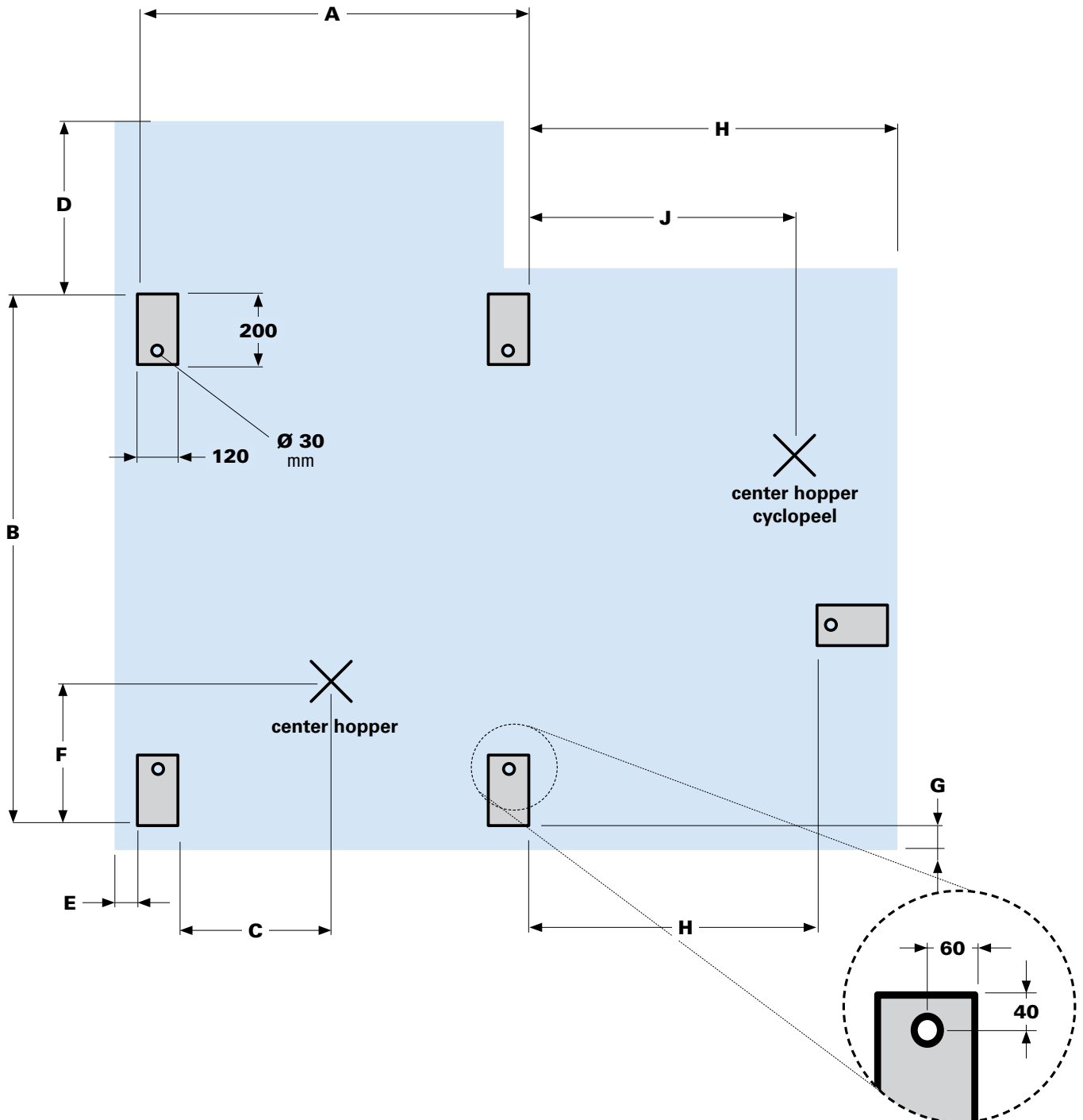
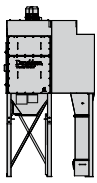
Sparktrap - Partially integrated fan dimensions (in mm)							
A	B	C	D	E	F	G	H
1114	1513	437	493	58	412.8	73	443

FOUNDATION DETAILS - CYCLOPEEL - ROOF MOUNTED FAN



Cyclopeel - Roof mounted fan dimensions (in mm)									
A	B	C	D	E	F	G	H	J	K
1114	1513	437	143.5	58	412.8	73	818.3	752.5	1048

FOUNDATION DETAILS - CYCLOPEEL - PARTIALLY INTEGRATED FAN



Cyclopeel - Partially integrated fan dimensions (in mm)									
A	B	C	D	E	F	G	H	J	K
1114	1513	437	493	58	412.8	73	818.3	752.5	1048

ELECTRICAL REQUIREMENTS

Fully automatic cleaning mechanism:	C-Powerbox
Pulse interval time:	12 s
Control box protection class:	IP65
Input voltage:	400 V Δ 50 Hz

NOISE EMISSION

Noise emission declaration of the DFPRE 6L, measured according to EN-ISO 11201: 2010, running at maximum fan speed and 5 pulses per minute at 6 Bar with noise insulation foam:

The A-weighted emission sound pressure level re. 20 µPa	76 dB
associated total uncertainty K_{pA}	2.5 dB

The declaration is in conformance with ISO 4871.

MANIFOLD DESIGN DETAILS

Design pressure:	8 bar
Maximum operating pressure, PS:	7 bar (101.5 psig)
Test pressure:	11.5 bar
Design temperature:	-20° to +70°C
Manifold volume:	9 litres
Product of pressure and capacity:	63 bar litres
Material used for manifold construction:	Structural hollow section according to EN13445

COMPRESSED AIR REQUIREMENTS

Max. 7 bar	
Pressure range 6-7 bar	
Clean air (max. particle size 50 µm)	
Free of condensate at working temperature	
Max. oil content:	3 mg/m ³
Approximate compressed air usage*:	±45 litres per pulse (± 13.5 Nm ³ /h for 10 s pulse interval at 7 bar)

* The indicated value is the consumption per valve

STANDARD FEATURES & AVAILABLE OPTIONS

Unit options

Execution for outside installation
Variable hopper clearance
Full range of dust disposal systems
Compressed air – oil/water separator and accessories
Full range of fan sets
CAP insulation foam
Full range of filter cartridges
Bin balance pipe kit
DFS Feeder for the absorption of oily substances

Cartridge options

Filter assembly DFE 660mm Ultra-Web®
Filter assembly DFE 660mm Ultra-Web® Earthed
Filter assembly DFE 660mm Ultra-Web® Flame Retardant
Filter assembly DFE 660mm Ultra-Web® Flame Retardant Earthed
Filter assembly DFE 660mm Ultra-Web® on SpunBond
Filter assembly DFE 660mm Ultra-Web® on SpunBond Earthed
Filter assembly DFE 660mm Ultra-Web® on SpunBond Anti-Static
Filter assembly DFE 660mm Ultra-Web® Anti-Static
Filter assembly DFE 660mm Torit-Tex®
Filter assembly DFE 660mm Torit-Tex® Earthed
Filter assembly DFE 660mm Torit-Tex® Anti-Static
Filter assembly DFE 660mm Ultra-Web® No Liner
Filter assembly DFE 660mm Ultra-Web® Flame Retardant No Liner
Filter assembly DFE 660mm Ultra-Web® Stainless Steel
Filter assembly DFE 660mm Fibra-Web®
Filter assembly DFE 660mm Fibra-Web® Earthed
Filter assembly DFE 660mm Fibra-Web® Flame Retardant
Filter assembly DFE 660mm Thermo-Web®
Filter assembly DFE 660mm Thermo-Web® Earthed
Filter assembly DFE 660mm Kevlar Nomex (high temp)

- Africa** Donaldson Europe B.V.B.A.
Industrial Filtration Solutions
Research Parc Bldg No. 1303
Interleuvenlaan, 1
B-3001 Leuven
Belgium
IAF-africa@donaldson.com +32 16 38 39 70
- Austria** Donaldson Filtration Österreich GmbH
Gutheil-Schoder Gasse 8-12
A-1100 Wien
Österreich
IAFat@donaldson.com +43 16 16 52 91
- Belgium** Donaldson Europe B.V.B.A.
Industrial Filtration Solutions
Research Parc Bldg No. 1303
Interleuvenlaan, 1
B-3001 Leuven
België
IAF-be@donaldson.com +32 16 38 39 70
- Czech Republic** Donaldson Filtration CR - koncern s.r.o.
Konevova 139
CZ-130 83 Praha 3
Ceská republika
IAF-cz@donaldson.com +420 2 67 108 242
- Denmark** Donaldson Scandinavia ApS
Lyngsø Allé 3A
DK - 2970 Hørsholm
Danmark
IAF-dk@donaldson.com +45 45 57 00 77
- Finland** Donaldson Scandinavia ApS
Lyngsø Allé 3A
DK - 2970 Hørsholm
Danmark
IAF-fi@donaldson.com +45 45 57 00 77
- France** Donaldson France s.a.s.
33 Rue des Vanesses
Zac Paris Nord II B.P. 51292 Villepinte
F-95958 Roissy
Charles de Gaulle Cedex
France
IAF-fr@donaldson.com +33 1 49 38 99 30
- Germany** Industrial Filtration Solutions
Industriestraße 11
D-48249 Dülmen
Deutschland
IAF-de@donaldson.com + 49 2594 781-41
- Hungary** Donaldson Filtration Magyarország Kft.
Záhony u. 7.
H-1031 Budapest
Magyarország
IAF-hu@donaldson.com +36 1 453 28 65/66
- Ireland** Donaldson Filtration (GB) Ltd.
Suite 31, The Hyde Building The Park
Carrickmines, Dublin 18
Ireland
IAF-ie@donaldson.com +353 1 525 22 49
- Italy** Donaldson Italia S.r.l.
Via Cesare Pavese, 5/7
20090 Opera (Milan)
Italia
IAF-it@donaldson.com +39 0 25 30 05 21
- Middle East** Donaldson Europe B.V.B.A.
Office 1905
Jebel Ali Free Zone
Dubai
United Arab Emirates
IAF-middle-east@donaldson.com +971 4 885 5311
- Netherlands** Donaldson Nederland B.V.
Transistorstraat 44 III
NL-1322 CG Almere
Nederland
IAF-nl@donaldson.com +31 36 548 08 40
- Norway** Donaldson Filtration Norway AS
Postboks 196
N-1501 Moss
Norge
IAF-no@donaldson.com +47 69 21 53 00
- Poland** Donaldson Polska Sp.zo. o.
ul. Sienna 64
PL-00-825 Warszawa
Polska
IAF-pl@donaldson.com +48 22 517 15 00
- Russia** Predstavitelstvo AOOO Donaldson Nederland B.V.
Centr Meždunarodnoj Torgovli
Ofis 1004V, Krasnopresnenskaja nab.12
123610 Moskva
Russia
IAF-ru@donaldson.com +7 499 136 00 13
- Slovakia** Donaldson Filtration Slovensko s.r.o.
Púchovská 8
SK-83106 Bratislava 35
Slovensko
IAF-sk@donaldson.com +421 2 44872619
- Spain** Donaldson Ibérica, Soluciones en Filtración, S.L.
Colom, 391 - 3ªA
E-08223 Terrassa
España
IAF-es@donaldson.com +34 93 784 38 34
- Sweden** Donaldson Scandinavia
Industrigatan 68
S-261 35 Landskrona
Sverige
IAF-se@donaldson.com +46 418 457 550
- Switzerland** Donaldson Schweiz GmbH
Bruggacherstrasse 18
CH-8117 Fällanden
Schweiz
IAF-ch@donaldson.com +41 (0)44 302 07 15
- Turkey** Donaldson Filtre Sist. Tic. Ltd. Sti.
Barbaros Mahallesi Palladium Tower No:2 Kat:10
34746 Ataşehir / Istanbul
Türkiye
IAF-tr@donaldson.com +90 216 687 03 26
- United Kingdom** Donaldson Filtration (GB) Ltd.
Humberstone Lane Thurmaston
Leicester LE4 8HP
United Kingdom
IAF-uk@donaldson.com +44 116 269 6161
- Other countries** Donaldson Filtration (GB) Ltd.
Humberstone Lane Thurmaston
Leicester LE4 8HP
United Kingdom
IAF-export@donaldson.com +44 116 269 6161

Order online



shop.Donaldson.com