



Donaldson.
FILTRATION SOLUTIONS

Packaged High Vacuum Dust Collector HV150, HV300, HV600, HV1000

HV150, HV300, HV600 and HV1000 are packaged high vacuum dust collectors designed for collection of dust and fumes generated by applications such as cleaning, grinding, etc.



HV150, HV300, HV600 and HV1000 Dust Collectors can be used for nuisance and process dust and fume control, providing:

- Small, High Efficiency, Plug-and-Play design suitable for continuous operation.
- Packaged and compact design for small footprint, easy and cost effective installation
- Down Flow Design and Oval Ultra-Web® Cartridge Filters with superior filtration efficiency and pulse cleaning.
- Clamping-style dust bin for easy clearing.
- Delta P-C01 Controller is only available for HV600 and HV1000 with a variety of Cleaning options and connectivity with other equipment

HV150, HV300, HV600 and HV1000 Dust Collectors are equipped with Ultra-Web® filtration technology. Ultra-Web nanofiber media uses a layer of fibers 0.2 to 0.3 microns in diameter to capture contaminants on the surface of the media less than one micron in size. The resulting dust cake is easily cleaned off during the collector cleaning cycles providing cleaner air longer, with a minimum MERV15 efficiency rating based on ASHRAE 52.2 test standards.

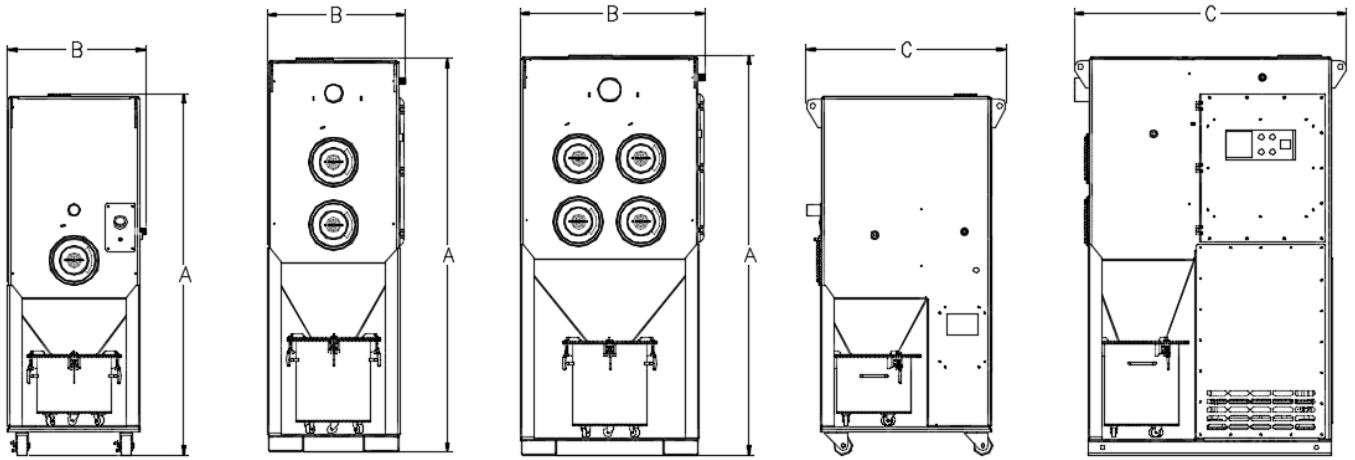
Standard Features and Available Options:

- Ultra-Web® FR Cartridge Filters
- Ultra-Web® SB Cartridge Filters
- Ultra-Web® AS Cartridge Filters
- Integrated high vacuum fan pack
- Torit ΔP-C01 Cleaning Control for HV600 and HV1000
- Push button Cleaning for HV150 and HV300
- Optional HEPA and BIBO module

Applications:

- Cleaning
- Welding
- Grinding

HV150, HV300, HV600, HV1000 Dimensions and Specifications



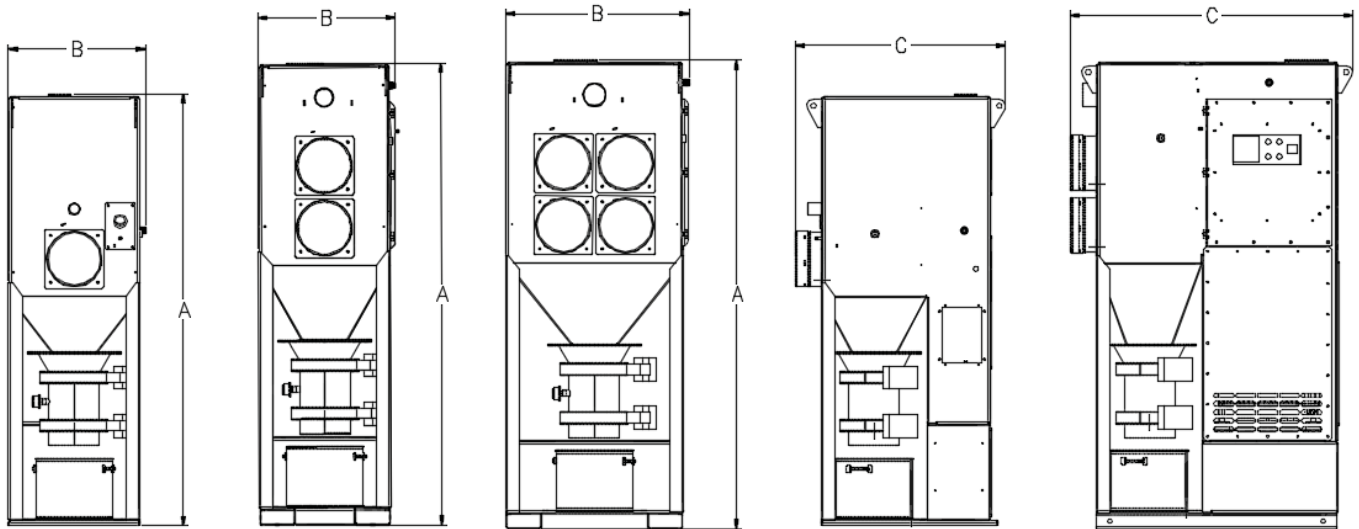
HV150/300
Front side

HV600
Front side

HV1000
Front side

HV150/300
Right side

HV600/1000
Right side



HV150/300 BIBO
Front side

HV600
BIBO

HV1000 BIBO
Front side

HV150/300
BIBO

HV600/1000 BIBO
Right side

Type	Nominal Air flow m3/h	No. of Filters Pieces	Filtration Area		Motor (50hz) kW	Weight kg	Sound Level* dB(A)	Dimensions		
			SB	FR				A	B	C
			m ²					mm	mm	mm
HV150	150	1	4.0	9.6	3	490/570**	75±2	1929/2326**	739	1070/1132**
HV300	300	1	4.0	9.6	5.5	520/600**	75±2	1929/2326**	739	1070/1132**
HV600	600	2	8.0	19.2	12.5	850/950**	78±2	2101/2488**	739	1460/1522**
HV1000	1000	4	16.0	38.4	18.5	1200/1310**	78±2	2139/2525**	989	1460/1522**

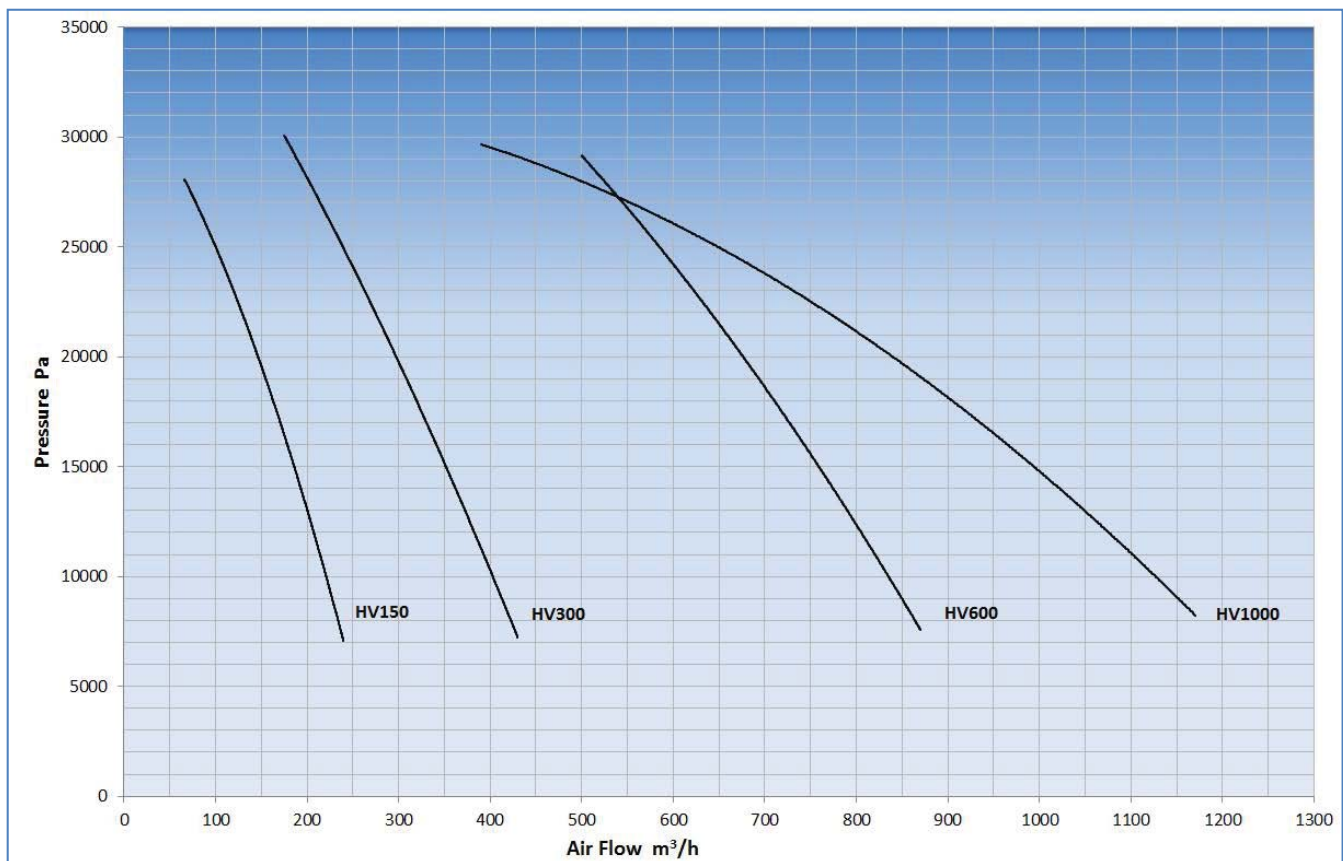
*All readings were taken in normal industrial areas, i.e. semi-reverberant surroundings, with local equipment silent.. Measurements were taken at -20kPa conditions at 1.0 m radius from the equipment housing and 1.5 above base level

**Only for dust collector with BIBO

HV150, HV300, HV600, HV1000 Dimensions and Specifications

Type	Housing Rating (in H ₂ O/Pa)	Housing Construction	Compressed Air Required (Bar)	Operating Temperature (°C)	Electrical Power Valves/Controls
HV150	-197/-50,000	Strong 5mm Mild steel structure	6	66	220 VAC 50/60 Hz
HV300	-197/-50,000	Strong 5mm Mild steel structure	6	66	220 VAC 50/60Hz
HV600	-197/-50,000	Strong 5mm Mild steel structure	6	66	220 VAC 50/60 Hz
HV1000	-197/-50,000	Strong 5mm Mild steel structure	6	66	220 VAC 50/60 Hz

High Vacuum Fan Curve



Global Support

- Facilities in 37 countries
- 40 manufacturing plants and 14 distribution centers

Leading Technology

- Over 1,000 engineers and scientists worldwide
- Broad range of innovative collectors and filters
- 100s of filter media formulations

Experience and Service

- Technical expertise and support
- Ready-to-ship filters and parts within 24 hours
- 1,000,000+ dust, fume and mist collectors installed



Donaldson Australasia
Tel: 1800 503 878 (AU)
Tel: 0800 743 387 (NZ)
www.donaldsonfilters.com.au

Donaldson China
Tel: 400 820 1038
www.donaldson.cn

Donaldson South Asia
Tel: +91 124 480 7536
www.india.donaldson.com

Donaldson Japan
Tel: +81 42 540 4114
www.donaldson.co.jp

Donaldson Korea
Tel: +82 251 733 33
www.donaldson.co.kr

Donaldson Europe
Tel: +32 16 383 811
www.donaldson.com

Donaldson Southeast Asia
Tel: +65 6349 8168
www.asia.donaldson.com

Donaldson USA
Tel: +1 800 365 1331
www.donaldsontorit.com

EXACTLY WHAT YOU NEED.™

Torit Dust Collectors - HV Series (04/17)

© 2017 Donaldson Company, Inc. All Rights Reserved. All products, product specifications, and data (airflow, capacity, dimensions, or availability) are subject to change without notice, and may vary by region or country. Donaldson Torit, Torit PowerCore, Ultra-Web, and the color blue are registered trademarks of Donaldson Company, Inc. Contains Donaldson proprietary technology.