



PG-EG

STEAM TRAP/CONDENSATE SANITARY DRAINS

fits PG-EG Tri-Clamp and ANSI Flange Sanitary housings

Process Filtration

Donaldson® steam trap and condensate sanitary drains are designed for use on our PG-EG filter housings.

The PG-EG filter housing can be used to filter both steam and air or technical gases. The housing orientation is dependent on how the housing is used. When filtering steam, the flow goes from out-to-in across the filter element. When filtering air or technical gases, the airflow is in-to-out across the filter element.

The kits include a stainless steel, free floating lever drain as well as components to assemble with our PG-EG housing. The float drain includes a hemispherical valve, seat, lever and guidepost that ensure a positive and leak-free seal under all conditions.



**STEAM TRAP/CONDENSATE
SANITARY DRAINS**

FEATURES	BENEFITS
Self-contained drain body	Easily adapts to Donaldson PG-EG filter housing when a condensate drain or steam trap is required
Float drain includes hemispherical valve, seat, lever and guidepost	Ensures a proper leak-free seal under all conditions
No electricity required	Installation is easy and suitable for remote facility locations
Self-regulated	Float drain operates as needed

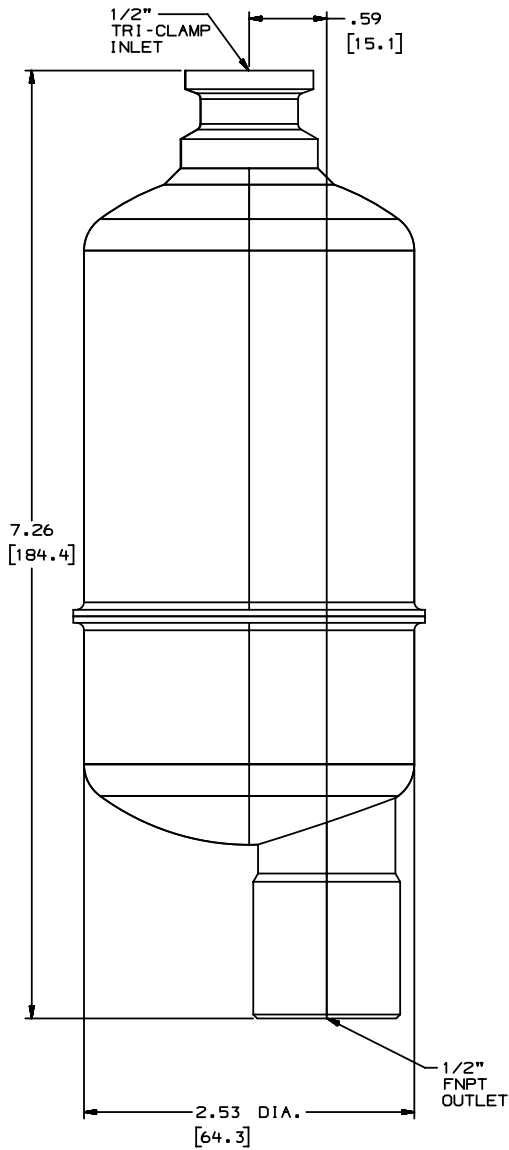
SPECIFICATIONS

MATERIALS		AVAILABLE CONNECTION TYPES	
Drain Body	304 SS	inlet	outlet
Exterior finish to be RA 63 or better except for welds. Welds to be polished to be cleaned but may have a surface finish rougher than RA 63		13 mm (1/2") Tri- Clamp	13 mm (1/2") FNPT
		38 mm (1 1/2") Tri- Clamp	13 mm (1/2") FNPT
DESIGN PRESSURE/TEMPERATURE		KIT INSTALLATION ORIENTATION	
Pressure Maximum Allowed: 30 bar @ 260° C (440 psi @ 500° F)		Vertical only	
Pressure Maximum Operating: 28 bar (400 psi)			

DIMENSIONS

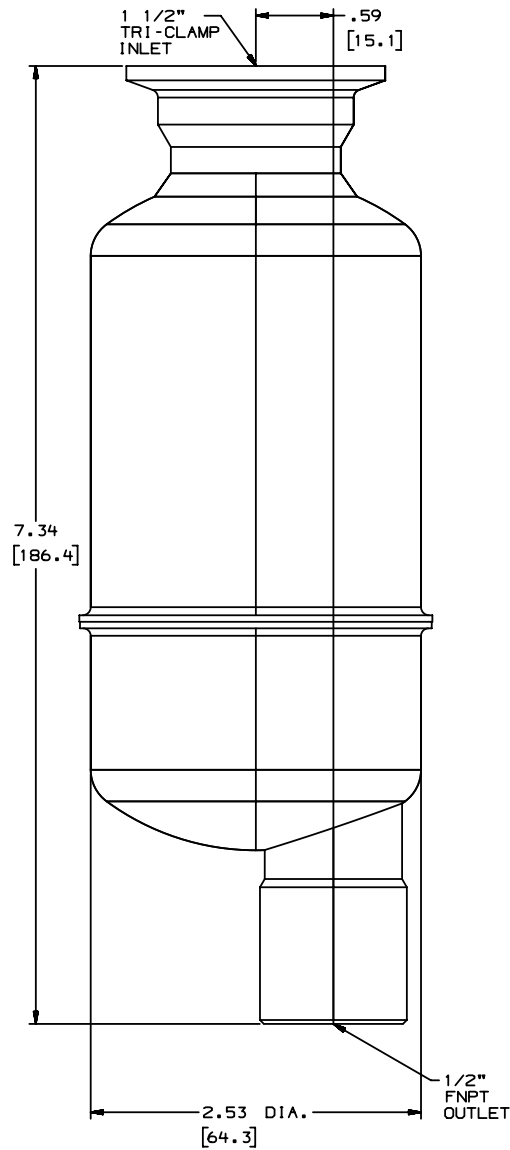
AG1253941

Drain used on: PG-EG 0006, 0018 NPT housing drain port
PG-EG 0432-1920 ANSI flange housing drain port



AG1253942

Drain used on: PG-EG 0032-0192 NPT housing drain port



Optional Components Available

Part No.	Description
AG1109031	13 mm (1/2") MNPT Hex Nipple, 316 SS
AG1109032	13 mm (1/2") FNPT Ball Valve, 316 SS
AG1109033	13 mm (1/2") MNPT Pipe Nipple, 316 SS

Important Notice: Many factors beyond the control of Donaldson can affect the use and performance of Donaldson products in a particular application, including the conditions under which the product is used. Since these factors are uniquely within the user's knowledge and control, it is essential the user evaluate the products to determine whether the product is fit for the particular purpose and suitable for the user's application. All products, specifications, availability and data are subject to change without notice, and may vary by region or country.



Donaldson Company, Inc.
Minneapolis, MN

donaldson.com
shop.donaldson.com

Australasia 61-02-4350-2066
marketing.australia@donaldson.com

Brazil 55-11-4894-6035
vendas.brasil@donaldson.com

China 86-400-921-7032
info.cn@donaldson.com

EMEA 49-2129-569-0
cap-europe@donaldson.com

India 91-124-4807-400
indiaquiries@donaldson.com

Japan 81-42-540-4123
ndl-ultrafilter-web@donaldson.com

Korea 82-2-517-3333
cap-kr@donaldson.com

Latin America 52-449-300-2442
industrialair@donaldson.com

North America 800-543-3634
processfilters@donaldson.com

South Africa 27-11-997-6000
samarketing@donaldson.com

Southeast Asia 65-6311-7373
sea.salesenquiry@donaldson.com